

MU ECHOS

Water/water chiller and heat pump 6÷48



General

Water/Water chillers and heat pumps with hermetic scroll compressor.

Configurations

HP: Reversible heat pump

A+: Energy efficiency class A+

LE: For connection to remote evaporator

LC: For connection to remote condenser

LN: Low sound level

Optional pump-/tank module

Quick facts

- ▶ Eco-friendly cooling
- ▶ High EER
- ▶ Limited space requirements
- ▶ Very low noise emissions
- ▶ Fully accessible
- ▶ Designed for radiating panels
- ▶ Split version available

INDEX

Technical features	3
MU ECHOS - technical data	6
MU ECHOS - operating limits	8
MU ECHOS - electrical data	9
MU ECHOS - cooling capacity	10
MU ECHOS - heating capacity	12
MU ECHOS/LC - cooling capacity	14
MU ECHOS/LC/HP - heating capacity	16
MU ECHOS/LE - cooling capacity	18
MU ECHOS/LE/HP - heating capacity	20
MU ECHOS - noise levels	22
MU ECHOS/LN - noise levels	22
Dimensional drawing	23
Installations recommendations location	51

TECHNICAL FEATURES

MU ECHOS

Water/water chiller and heat pump with scroll compressors and plate heat exchangers.

STRUCTURE

The units are designed to be installed from inside. The structure is in steel sheet coated with epoxy-polyester powder paint, with removable panels insulated with sound absorbing material. The sizes 6, 8 and 11 are painted with RAL 7035 colour, suited for installation on the wall, the sizes from 16 to 48 are painted in RAL 7035 colour for installation on the floor.

COMPRESSOR

Rotary screw hermetically sealed scroll type compressors with internal thermal protection, heater for the crankcase, supported by rubber antivibration mounts to reduce the vibrations transmission to the unit. Cooling circuit components: feed inlets, dehydrating filter, thermostatic expansion valve, high and low pressure switches. Units of sizes from 16 to 48 are also provided with safety valve and fluid sight glass.

EVAPORATOR

Brazed plate heat exchanger in stainless steel AISI 316 insulated against condensate, temperature probe on the vane-operated flow switch antifreeze protection (installed on sizes 6, 8 and 11 and supplied with the unit for the other sizes).

CONDENSER

Brazed plate condenser in stainless steel AISI 316 sized to operate with well water (in/out 15/30 °C). The chiller units can be fitted upon request with condenser sized to operate with tower water (in/out 30/35°C).

ELECTRICAL PANEL

The panel consists of: main disconnect switch, automatic disconnect switch for the main and auxiliary power circuit protection, compressor remote disconnect switch, on/off digital signal input contact, microprocessor for parameter setting control of the following functions:

- Regulation of water temperature;
- Control of set-point self-regulation;
- Anti-freeze protection
- Compressor timing
- Alarm signal
- Alarm reset
- Cumulative alarm contact for remote signaling; The control display shows the following information:
- Ingoing and outgoing water temperature;
- Currently set temperature and differential
- Alarm description
- Operation hour counter;

CONTROL AND SAFETY DEVICES

The units are equipped with:

- Manual reset high pressure switch

- Controlled manual reset low pressure switch;
- High pressure safety valve (except for the 6, 8 and 11 sizes, basic and /HP version);
- Water temperature probe on the user side, installed on the heat exchanger inlet;
- Antifreeze probe on the user side heat exchanger outlet;
- Vane-operated mechanical flow switch fitted on sizes 6, 8 and 11 and supplied with the unit for the other sizes;
- Compressor overtemperature internal protection.

TESTING

All units are factory-tested and supplied complete with oil and refrigerant (except for the LE, LE/HP, LC and LC/HP units).

VERSIONS

Check the table with the available configurations for any interferences between one option and the other.

The basic version consists of a cooled-water water chiller.

/HP:

reversible heat pump

Besides the components of the MU ECHOS, the cooling circuit is equipped with 4-way inversion valve and a second thermostatic expansion valve. The hydraulic circuit consists of a pressure switch valve, a bypass solenoid valve and a second vane-operated water flow switch. These components are already installed on the 6, 8 and 11 sizes and for the other sizes they are supplied with in the kit). The electrical panel has a digital input contact for summer/winter switching.

/LE:

motocondensing unit

Motocondensing unit: The unit is designed to operate with an air-cooled evaporator therefore it does not have a heat exchanger on the user side or a thermostatic valve (can be supplied in the kit upon request). The unit is loaded with nitrogen instead of refrigerant

/LE /HP

reversible motocondensing unit

The unit is designed to operate with a remote air-cooled evaporator/condenser therefore it does not have a heat exchanger on the user side or a thermostatic valve suited for chiller operation mode (can be supplied in the kit upon request). The unit has a fluid receiver sized for the split unit supplied by Blue Box and the thermostatic valve for the heat pump operation mode. The unit is loaded with nitrogen instead of refrigerant

/LC

motoevaporating unit

The unit has no heat exchanger on the source side in order to allow connection to a remote air-cooled condenser. The unit is loaded with nitrogen instead of refrigerant

/LC /HP

reversible motoevaporating unit

The unit has no thermostatic valve for heat pump operation

mode and no heat exchanger on the source side in order to allow connection to a remote air-cooled condenser/evaporator. The unit has a fluid receiver sized for the remote condenser supplied by Blue Box.

The unit is loaded with nitrogen instead of refrigerant.

/LN

low-noise unit

The sizes 6, 8 and 11 with this outfit require the replacement of the standard sound absorbing material with a multi-layer acoustic insulation of high impedance.

The sizes from 16 to 48 require the installation of a sound-proof cover on the compressor. This outfit can be combined with all aforementioned versions of the unit

HYDRAULIC SYSTEM OPTIONS

The unit basic version has no circulation device or pump installed (except for the 6, 8 and 11 sizes). All the outfits (except for LE and LE/HP) can be equipped upon request with one of the following hydraulic modules:

/ST 1P

Besides the standard components installed, the unit has a circulation pump. This version is not suitable for the 6, 8 and 11 sizes.

/ST 1PS

Besides the standard components installed, the unit has an inertial insulated storage tank and a circulation pump. The sizes 6, 8, 11 and from 16 to 48 of the HP version have the safety valve and the expansion vessel fitted as standard.

This version is standard for the sizes 6, 8 and 11 while for the other sizes it must be requested when ordering.

STANDARD EQUIPMENT

- Flow switch (installed for models 6, 8, 11, equipped but not installed on other models)
- Summer/Winter mode selection on digital input (to be specified with the order)
- Remote On/Off control digital input
- Self-adaptable control logic

ACCESSORIES

REFRIGERANT CIRCUIT ACCESSORIES

- Condensing cntrl. with pressure control valve for well water (standard on HP version)
- Condensing control with pressure control valve for tower water
- Fitting for tower water (in-out 30/35 °C)
- Pressure gauges
- Liquid line shut-off valve
- Liquid line solenoid valve
- Electronic expansion valve
- Brine Kit

HYDRAULIC CIRCUIT ACCESSORIES

- Automatic filling kit with pressure gauge (only for 1PS version)
- Expansion vessel (for ST 1PS version only; standard on ST 1PS/ HP version)
- Water safety valve (ST 1PS version only, standard on ST 1PS/ HP version)
- Upward hydraulic circuit connections

ELECTRICAL ACCESSORIES

- Power supply: 400/3+N/50
- Set point compensated according to external air temperature
- Remote control terminal
- User interface
- RS485 serial interface
- Single operation voltage-free contacts
- Electronic soft-starter

VARIOUS ACCESSORIES

- Rubber antivibration mounts

“BRINE KIT”ACCESSORY

It is applied if the evaporator output temperature is included within +3°C and -8°C. It consists in a higher thermal insulation of the exchanger and piping, a specific calibration of the low pressure switches and of the anti-freeze alarm, and dimensioning check of the mechanical thermostatic valve.

If it is not included in the set-up, the “Check condensation” accessory must be added.

ELECTRONIC THERMOSTATIC VALVE

L'utilizzo di questo accessorio è particolarmente indicato sulle unità che si trovano ad operare in condizioni di carico termico molto variabile o di modalità di funzionamento variabili, come nel caso della gestione congiunta di condizionamento e produzione di acqua ad alta temperatura. L'impiego della valvola termostatica elettronica infatti permette di:

- massimizzare lo scambio termico all'evaporatore
- minimizzare i tempi di risposta alle variazioni del carico e di condizioni operative
- ottimizzare la regolazione del surriscaldamento
- garantire la massima efficienza energetica

SELF-ADAPTABLE REGULATION LOGIC

This function allows the unit control to dynamically vary the outlet water set point according to the stop and functional cycles of the machine: in practice, by increasing and reducing the water outlet temperature, the control avoids that compressor start-ups are too close in time, decreasing the number of peaks and protecting the unit components

REMOTE ON/OFF FROM DIGITAL INPUT

This function is standard on all units and consists in a remote contact that allows to switch on and off the machine through a signal that can be taken inside the building by a BMS (Building Management System) system.

SUMMER/WINTER SELECTION FROM DIGITAL INPUT

This function is standard on all heat pumps. When the unit is switched on, a functioning mode must be set, which can be either the heat pump or the chiller one. Through this remote contact, the functioning mode can be modified even inside the building and without a direct access to the microprocessor control.

FILLING SYSTEM WITH MANOMETER

This accessory allows the automatic load of the hydraulic system, the adjustment of the correct working pressure, which can always be verified by using the manometer, and enables the continuous maintenance of such pressure, reintegrating the missing water if necessary.

RS-485 INTERFACE

The growing diffusion of both domotic and BMS (Building Management System) systems led to the integration of all the system components under an only supervision. To respond to this request, the unit can be equipped with a serial board that allows the correct machine integration in the "building-system", by using MODBUS or CAREL communication protocols..

REMOTE CONTROL USER TERMINAL

Intended for a professional user, it consists in a faithful reproduction of the control panel, from where the unit can be completely set and all its parameters visualised on the display. Insertion of passwords, which enable different access levels, are required to access the parameters.

The type of terminal depends on the control installed on the unit

USER INTERFACE µAD

By using a simple and intuitive interface, this device allows to carry out the following main functions:

- Switching on and off the unit
- The unit function mode switch-over from heat pump to chiller and vice versa
- Enabling the sleep function
- The weekly timer thermostat function with automatic ON/OFF management of the unit
- Displaying unit functioning conditions

SOFT-STARTER

Blue Box units adopt all the required functioning set-ups and logics to minimise peak currents. The Soft-Starter accessory allows a further 40% reduction of normal current peaks, through an electronic control of the electric motor start-up.

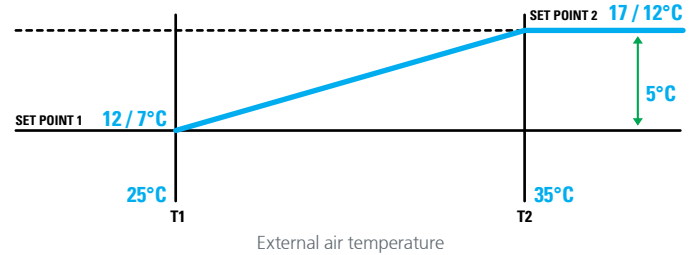
COMPENSATION OF THE SET-POINT according to the external air temperature

The unit microprocessor control can compensate the set point in a dynamic way, on variation of the external air temperature. The compensation can be positive or negative: with positive compensation, on increase of the air temperature the functioning set also increases. With negative compensation on increase of the air temperature the set decreases. Compensation can be made either on the summer set point or on the winter

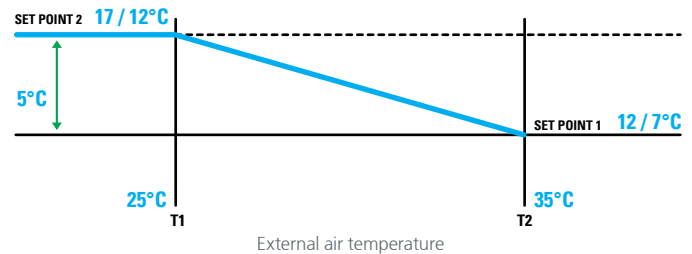
set point (heat pumps).

By default, both summer and winter negative compensation is set, but this configuration can be modified from the microprocessor keyboard. Unless otherwise specified, default values are indicated in the graphics below.

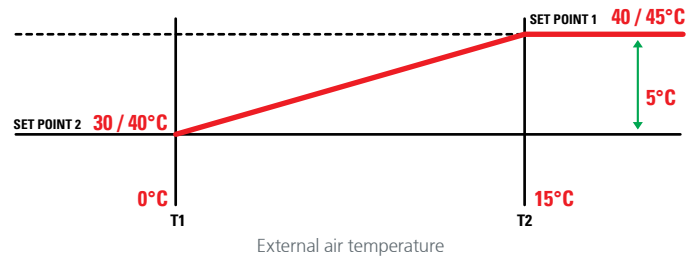
SUMMER COMPENSATION - POSITIVE



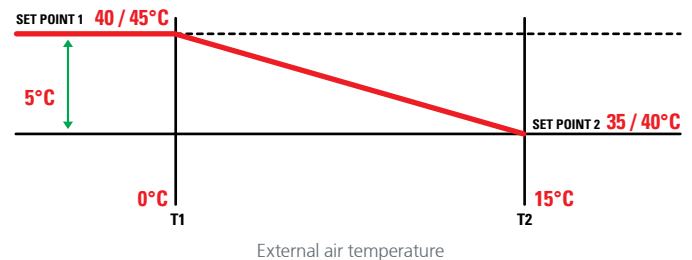
SUMMER COMPENSATION - NEGATIVE



WINTER COMPENSATION - POSITIVE



WINTER COMPENSATION - NEGATIVE



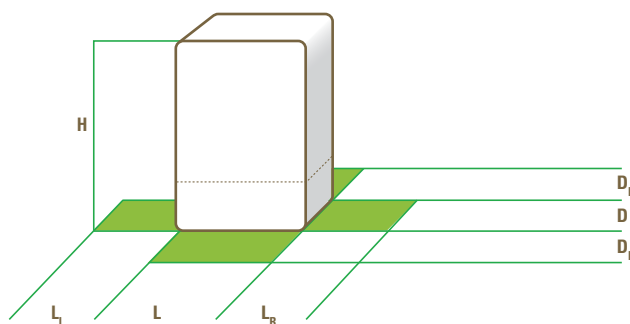
MU ECHOS - TECHNICAL DATA

UNIT SIZE			6	8	11	16	19	22	24	28	32	35	42	48
Cooling (Gross values)														
Nominal cooling capacity (W 30°C/W 18°C)	(1)	kW	8,4	11,5	14,6	22,5	26,1	30,4	32,9	37,3	45,7	49,4	58,4	65,4
Total power input for cooling	(1)	kW	1,4	1,7	2,2	3,4	4,1	4,9	5,4	6,3	7,1	7,8	9,0	10,0
EER	(1)		6,12	6,59	6,57	6,59	6,30	6,26	6,12	5,93	6,43	6,32	6,49	6,53
Efficiency class			A	A	A	A	A	A	A	A	A	A	A	A
Cooling (EN 14511 values)														
Nominal cooling capacity (W 30°C/W 18°C)	(1),(8)	kW	8,4	11,4	14,6	22,2	25,7	29,9	32,5	36,8	45,1	48,7	57,7	64,7
EER	(1),(8)		5,24	5,75	5,78	5,33	5,18	5,20	5,16	5,04	5,41	5,37	5,55	5,62
Efficiency class			A	A	A	A	A	A	A	B	A	A	A	A
Cooling (Gross values)														
Nominal cooling capacity (W 30°C/W 7°C)	(2)	kW	5,9	8,3	10,4	15,6	18,1	21,0	23,5	26,7	32,5	35,2	41,8	46,6
Total power input for cooling	(2)	kW	1,4	1,8	2,3	3,4	4,1	4,8	5,3	6,2	7,0	7,7	8,7	9,9
EER	(2)		4,24	4,61	4,52	4,58	4,40	4,38	4,44	4,31	4,65	4,57	4,80	4,71
ESEER			4,83	5,31	5,16	5,10	4,95	4,91	4,91	4,80	5,14	5,07	5,31	5,18
Efficiency class			D	C	C	C	C	C	C	C	C	C	B	B
Cooling (EN 14511 values)														
Nominal cooling capacity (W 30°C/W 7°C)	(2),(8)	kW	5,9	8,3	10,4	15,4	17,9	20,8	23,3	26,5	32,2	34,9	41,4	46,2
EER	(2),(8)		3,90	4,27	4,21	4,09	3,96	3,96	4,03	3,93	4,22	4,17	4,39	4,33
ESEER	(8)		4,32	4,77	4,64	4,30	4,17	4,14	4,14	4,05	4,30	4,25	4,46	4,36
Efficiency class			D	C	D	D	D	D	D	D	D	D	C	C
Cooling (Gross values)														
Nominal cooling capacity (W 15°C/W 7°C)	(3)	kW	6,4	8,8	11,0	16,5	19,2	22,5	24,8	28,0	34,5	36,9	43,9	48,8
Total power input for cooling	(3)	kW	1,3	1,6	2,0	3,1	3,7	4,3	4,8	5,6	6,2	7,0	7,8	8,9
EER	(3)		4,89	5,51	5,52	5,34	5,19	5,22	5,16	4,99	5,56	5,26	5,63	5,48
Heating (Gross values)														
Nominal heating capacity (W 10°C/W 35°C)	(4)	kW	7,1	9,8	12,0	17,8	21,5	24,9	27,6	32,2	36,5	39,8	47,3	53,2
Total power input for heating	(4)	kW	1,4	1,9	2,3	3,5	4,2	4,9	5,4	6,3	7,0	7,8	8,7	9,8
COP	(4)		5,10	5,14	5,22	5,09	5,12	5,08	5,11	5,11	5,21	5,10	5,44	5,43
Efficiency class			A	A	A	A	A	A	A	A	A	A	A	A
Heating (EN 14511 values)														
Nominal heating capacity (W 10°C/W 35°C)	(4),(8)	kW	7,2	9,8	12,0	18,0	21,7	25,2	27,9	32,5	36,9	40,2	47,7	53,6
COP	(4),(8)		4,92	4,99	5,08	4,57	4,62	4,62	4,67	4,69	4,75	4,68	4,98	5,01
Efficiency class			A	A	A	A	A	A	A	A	A	A	A	A
Heating (Gross values)														
Nominal heating capacity (W 10°C/W 45°C)	(5)	kW	6,9	9,5	11,7	16,8	20,3	23,5	26,6	31,1	35,2	38,4	45,0	50,6
Total power input for heating	(5)	kW	1,8	2,5	3,0	4,4	5,3	6,1	6,7	7,8	8,7	9,6	10,6	12,1
COP	(5)		3,87	3,80	3,90	3,86	3,85	3,83	4,00	4,00	4,06	3,98	4,23	4,20
Efficiency class			C	D	C	C	D	D	C	C	C	C	B	B
Heating (EN 14511 values)														
Nominal heating capacity (W 10°C/W 45°C)	(5),(8)	kW	7,0	9,5	11,8	17,0	20,5	23,7	26,9	31,4	35,5	38,7	45,3	51,0
COP	(5),(8)		3,78	3,73	3,83	3,60	3,60	3,61	3,76	3,77	3,81	3,76	3,98	3,98
Efficiency class			D	D	D	D	D	D	D	D	D	D	C	C
Compressors														
Quantity/Refrigerant circuits		n°/n°	1/1	1/1	1/1	1/1	1/1	1/1	1/1	1/1	1/1	1/1	1/1	1/1
Capacity steps		%	0-100	0-100	0-100	0-100	0-100	0-100	0-100	0-100	0-100	0-100	0-100	0-100
Evaporator														
Water flow rate	(1)	l/h	1.451	1.972	2.518	3.874	4.488	5.224	5.663	6.413	7.864	8.490	10.048	11.245
Pressure drop	(1)	kPa	16	11	12	117	121	115	110	111	124	118	115	106
Condenser														
Water flow rate	(1)	l/h	563	757	967	1.488	1.733	2.019	2.196	2.498	3.029	3.278	3.866	4.323
Pressure drop	(1)	kPa	22	21	17	19	25	21	19	14	26	31	25	32
Hydraulic module														
Available pump pressure		kPa	46	45	42	78	69	100	92	82	87	119	114	85
Storage tank capacity		l	35	35	35	50	50	50	100	100	100	100	100	100
Sound level														
Sound power value (standard unit)	(6)	dB(A)	61	61	62	62	62	69	69	71	71	71	72	74
Sound pressure value (standard unit)	(7)	dB(A)	47	47	48	48	48	55	55	57	57	57	58	60
Sound power value (SLN version)	(6)	dB(A)	59	59	60	60	60	67	67	69	69	69	70	72
Sound pressure value (SLN version)	(7)	dB(A)	45	45	46	46	46	53	53	55	55	55	56	58

(1) User side ingoing-outgoing water temperature 23/18°C; source side ingoing water temperature 30/35°C
 (2) User side ingoing-outgoing water temperature 12/7°C; source side ingoing water temperature 30/35°C
 (3) User side ingoing-outgoing water temperature 12/7°C; source side ingoing water temperature 15/30°C
 (4) User side ingoing-outgoing water temperature 30/35°C; source side ingoing-outgoing water temperature 10/x°C

(5) User side ingoing-outgoing water temperature 40/45°C; source side ingoing-outgoing water temperature 10/x°C
 (6) Noise power levels calculated according to ISO 3744
 (7) Noise pressure levels measured at 1 meter from the unit in free field, with a directivity factor Q=4
 (8) Values according to EN 14511-3:2011
 This datasheet gives the characteristic data of the basic and standard versions of the series; for details refer to the specific documentation

MU ECHOS - TECHNICAL DATA



Basic version and ST1P				6	8	11	16	19	22	24	28	32	35	42	48
L	Length		mm	-	-	-	507	507	507	861	861	861	862	862	862
D	Depth		mm	-	-	-	537	537	537	543	543	543	537	537	537
H	Height		mm	-	-	-	671	671	671	671	671	671	1020	1020	1020
W	Operating weight	(1)	kg	-	-	-	102	106	112	164	168	200	203	204	252

Version ST1PS				6	8	11	16	19	22	24	28	32	35	42	48
L	Length		mm	456	456	456	925	925	925	861	861	861	862	862	862
D	Depth		mm	398	398	398	537	537	537	543	543	543	537	537	537
H	Height		mm	1.000	1.000	1.000	1.221	1.221	1.221	1.220	1.220	1.220	2.050	2.050	2.050
W	Operating weight	(1)	kg	158	164	169	226	231	238	344	348	371	378	378	426

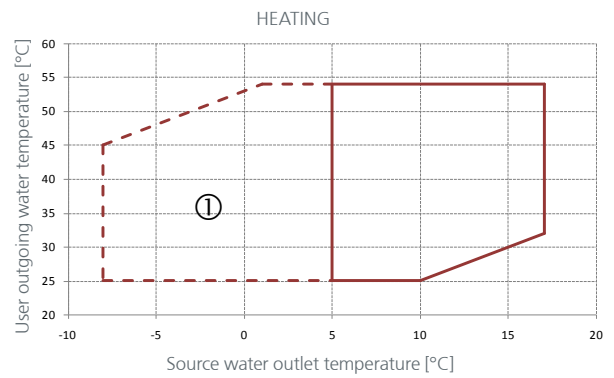
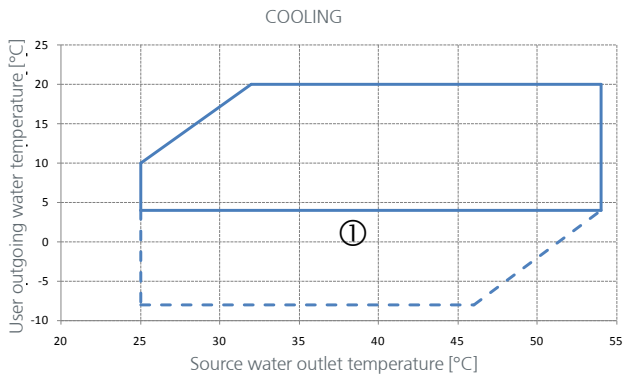
Clearance areas				6	8	11	16	19	22	24	28	32	35	42	48
LL	Left side	(2)	mm	100	100	100	300	300	300	300	300	300	300	300	300
LR	Right side	(2)	mm	100	100	100	300	300	300	300	300	300	300	300	300
DF	Front side	(2)	mm	500	500	500	500	500	500	500	500	500	500	500	500
DR	Rear side	(2)	mm	0	0	0	300	300	300	300	300	300	300	300	300

(1)The weight is only indicative and may vary depending on the unit outfit

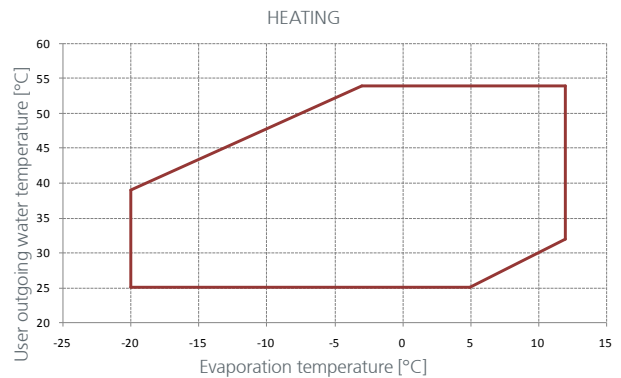
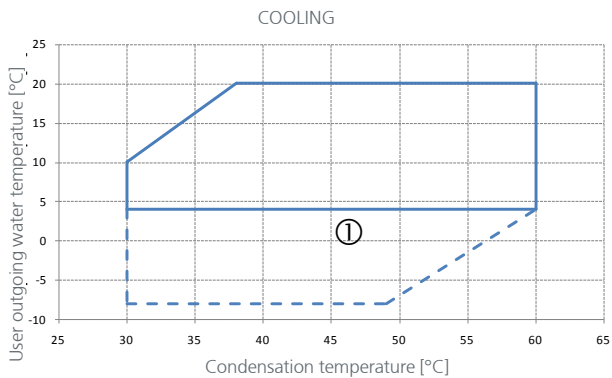
(2)The clearance areas are indicated considering that the unit is controlled from the front side.

MU ECHOS - OPERATING LIMITS

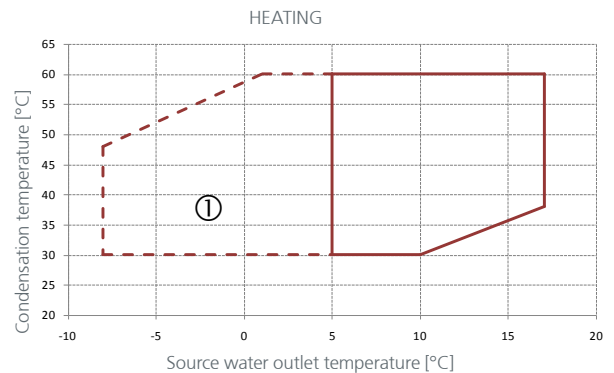
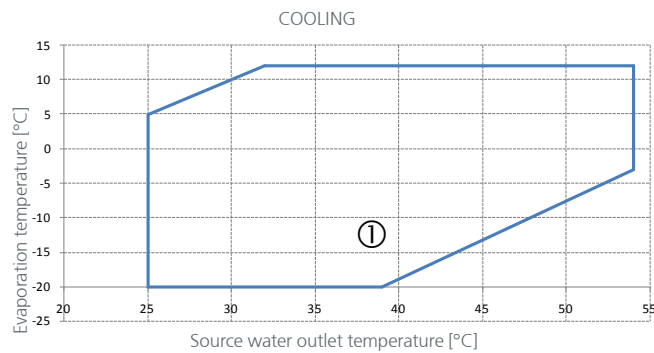
CH VERSION AND HP



/LC VERSION AND LC /HP



/LE VERSION AND LE /HP



The heat exchanger temperature rise must be within 4°C e 7°C
 ①: within this range the unit can operate only with glycol solution on evaporator side

MU ECHOS - ELECTRICAL DATA

Basic version			6	8	11	16	19	22	24	28	32	35	42	48
Maximum absorbed power	(1)	kW	-	-	-	6,1	7,5	8,8	9,2	10,7	12,6	13,8	15,6	17,6
Maximum absorbed current	(1),(2)	A	-	-	-	9,8	12	14,2	15,9	18,1	20,6	22,3	25,29	30,6
Maximum input current	(3)	A	-	-	-	56	69	75	101	101	101	102	158	195
		A	-	-	-	(34)	(41)	(45)	(61)	(61)	(61)	(61)	(95)	(117)

Version ST1P o ST1PS			6	8	11	16	19	22	24	28	32	35	42	48
Maximum absorbed power	(1)	kW	3,76	4,76	5,76	8,3	9,7	11,6	12	13,5	15,4	16,2	18	20
Maximum absorbed current	(1),(2)	A	13,1	17,4	22,4	10,1	12,3	14,65	16,35	18,55	21,05	23,2	26,19	31,5
Maximum input current	(3)	A	58	82	97	56	69	75	101	101	101	103	159	196
		A	(35)	(49)	(58)	(34)	(42)	(45)	(61)	(61)	(61)	(62)	(95)	(118)

Main power supply			6	8	11	16	19	22	24	28	32	35	42	48
Standard power supply		V~Hz	230/1~/50			400/3N~/50								
Optional power supply	(4)	V~Hz	400/3N~/50			-								

The indicated data is valid for unit with standard power supply

(1)Electrical power that must be supplied by the mains to power the unit.

(2)Internal breakers tripping current. This value is never exceeded and must be used to size the line and its protections (refer to the electric diagram supplied with the unit).

(3)The maximum peak of the current is calculated considering the compressor start and the maximum power absorbed by all the other devices.

The value between parentheses refers to the units equipped with soft-starter (optional).

(4)To be asked for when ordering

The values and images inside the document are indicative and can be modified by the manufacturer without prior notification.

For further information refer to the specific documentation. The reproduction of this material, even partial, is prohibited.

MU ECHOS - COOLING CAPACITY

Model	To [°C]	CONDENSER OUTGOING WATER TEMPERATURE [°C]									
		30		35		40		45		50	
		Pf	Pe	Pf	Pe	Pf	Pe	Pf	Pe	Pf	Pe
6	4	5,8	1,3	5,5	1,5	5,1	1,7	4,8	1,9	4,4	2,1
	7	6,4	1,3	6,0	1,5	5,7	1,7	5,3	1,9	4,9	2,1
	8	6,6	1,3	6,2	1,5	5,9	1,7	5,5	1,9	5,1	2,1
	9	6,8	1,3	6,5	1,5	6,1	1,7	5,7	1,9	5,3	2,1
	10	7,0	1,3	6,7	1,5	6,3	1,7	5,9	1,9	5,5	2,1
8	4	8,0	1,6	7,7	1,9	7,2	2,1	6,8	2,4	6,4	2,8
	7	8,8	1,6	8,4	1,8	8,0	2,1	7,5	2,4	7,0	2,7
	8	9,1	1,6	8,7	1,8	8,2	2,1	7,7	2,4	7,2	2,7
	9	9,4	1,6	8,9	1,8	8,5	2,1	8,0	2,4	7,4	2,7
	10	9,7	1,6	9,2	1,8	8,7	2,1	8,2	2,4	7,7	2,7
11	4	10,0	2,0	9,6	2,3	9,1	2,6	8,6	3,0	8,1	3,4
	7	11,0	2,0	10,5	2,3	10,0	2,6	9,5	3,0	8,9	3,4
	8	11,4	2,0	10,9	2,3	10,3	2,6	9,8	3,0	9,2	3,4
	9	11,8	2,0	11,2	2,3	10,7	2,6	10,1	3,0	9,5	3,4
	10	12,1	2,0	11,6	2,3	11,0	2,6	10,4	2,9	9,8	3,4
16	4	15,0	3,1	14,0	3,4	13,0	3,8	12,1	4,2	11,2	4,7
	7	16,5	3,1	15,4	3,4	14,4	3,8	13,5	4,2	12,5	4,7
	8	17,1	3,1	16,0	3,4	14,9	3,8	13,9	4,2	13,0	4,7
	9	17,6	3,1	16,5	3,4	15,5	3,8	14,4	4,2	13,4	4,7
	10	18,2	3,1	17,1	3,4	16,0	3,8	14,9	4,2	13,9	4,7
19	4	17,4	3,7	16,2	4,1	15,0	4,6	13,9	5,1	12,9	5,7
	7	19,2	3,7	17,9	4,1	16,7	4,6	15,5	5,1	14,4	5,7
	8	19,8	3,7	18,5	4,1	17,3	4,6	16,1	5,1	14,9	5,7
	9	20,5	3,7	19,2	4,1	17,9	4,6	16,6	5,1	15,4	5,8
	10	21,2	3,7	19,8	4,1	18,5	4,6	17,2	5,1	16,0	5,8
22	4	20,3	4,3	18,9	4,7	17,6	5,3	16,3	5,9	15,1	6,7
	7	22,5	4,3	20,9	4,8	19,5	5,3	18,1	5,9	16,8	6,7
	8	23,2	4,3	21,6	4,8	20,2	5,3	18,8	5,9	17,4	6,7
	9	24,0	4,3	22,4	4,8	20,9	5,3	19,4	6,0	18,0	6,7
	10	24,8	4,3	23,1	4,8	21,6	5,3	20,1	6,0	18,7	6,7

Pf: total cooling capacity provided

Pa: compressor power

To: water outlet temperature from the heat exchanger users (delta T=5K)

MU ECHOS - COOLING CAPACITY

Model	To [°C]	CONDENSER OUTGOING WATER TEMPERATURE [°C]									
		30		35		40		45		50	
		Pf	Pe	Pf	Pe	Pf	Pe	Pf	Pe	Pf	Pe
24	4	22,6	4,8	21,4	5,3	20,3	5,9	19,3	6,5	18,2	7,3
	7	24,8	4,8	23,5	5,3	22,3	5,9	21,2	6,6	20,0	7,3
	8	25,6	4,8	24,3	5,3	23,0	5,9	21,8	6,6	20,6	7,4
	9	26,4	4,8	25,0	5,3	23,8	5,9	22,5	6,6	21,3	7,4
28	4	27,2	4,8	25,8	5,3	24,5	5,9	23,2	6,6	21,9	7,4
	7	25,5	5,6	24,2	6,2	23,0	6,9	21,8	7,6	20,7	8,5
	8	28,0	5,6	26,6	6,2	25,3	6,9	23,9	7,7	22,6	8,5
	9	28,8	5,6	27,4	6,2	26,0	6,9	24,7	7,7	23,3	8,6
32	4	29,7	5,6	28,3	6,2	26,8	6,9	25,4	7,7	24,1	8,6
	7	30,7	5,6	29,1	6,2	27,7	6,9	26,2	7,7	24,8	8,6
	8	31,3	6,3	29,7	6,9	28,2	7,6	26,7	8,5	25,2	9,4
	9	34,5	6,2	32,7	6,9	31,0	7,6	29,3	8,5	27,7	9,5
35	4	35,6	6,2	33,7	6,9	32,0	7,6	30,3	8,5	28,6	9,5
	7	36,7	6,2	34,8	6,9	33,0	7,6	31,2	8,5	29,5	9,5
	8	37,8	6,2	35,9	6,9	34,0	7,7	32,2	8,5	30,4	9,5
	9	33,6	7,1	31,8	7,8	30,2	8,6	28,6	9,6	27,1	10,6
42	4	36,9	7,0	35,0	7,8	33,2	8,6	31,4	9,6	29,7	10,7
	7	38,0	7,0	36,1	7,8	34,2	8,6	32,4	9,6	30,6	10,7
	8	39,2	7,0	37,2	7,8	35,3	8,7	33,4	9,7	31,6	10,8
	9	40,4	7,0	38,4	7,8	36,4	8,7	34,5	9,7	32,6	10,8
48	4	39,9	7,7	38,1	8,5	36,1	9,4	34,0	10,4	31,6	11,6
	7	43,9	7,8	42,0	8,6	39,8	9,5	37,5	10,5	35,0	11,6
	8	45,3	7,8	43,3	8,6	41,1	9,5	38,8	10,5	36,2	11,7
	9	46,7	7,9	44,7	8,7	42,5	9,5	40,0	10,5	37,4	11,7
48	4	48,2	7,9	46,1	8,7	43,8	9,6	41,3	10,6	38,6	11,7
	7	44,3	8,9	42,1	9,8	39,8	10,9	37,3	12,0	34,8	13,4
	8	48,8	8,9	46,5	9,8	44,0	10,9	41,3	12,1	38,6	13,4
	9	50,3	8,9	47,9	9,9	45,4	10,9	42,8	12,1	39,9	13,4
48	4	52,0	8,9	49,5	9,9	46,9	10,9	44,2	12,1	41,3	13,4
	10	53,6	8,9	51,1	9,9	48,4	10,9	45,6	12,1	42,7	13,4

Pf: total cooling capacity provided

Pa: compressor power

To: water outlet temperature from the heat exchanger users (delta T=5K)

MU ECHOS - HEATING CAPACITY

Model	To [°C]	CONDENSER INGOING/OUTGOING WATER TEMPERATURE [°C]							
		30/35		35/40		40/45		45/50	
		Pf	Pe	Pf	Pe	Pf	Pe	Pf	Pe
6	5	5,4	1,4	5,1	1,6	4,9	1,8	4,6	2,0
	6	5,5	1,4	5,3	1,6	5,0	1,8	4,7	2,0
	7	5,7	1,4	5,5	1,6	5,2	1,8	4,9	2,0
	8	5,9	1,4	5,6	1,6	5,3	1,8	5,0	2,0
	9	6,1	1,4	5,8	1,6	5,5	1,8	5,2	2,0
	10	6,3	1,4	6,0	1,6	5,7	1,8	5,3	2,1
8	5	7,4	1,9	7,0	2,2	6,7	2,5	6,2	2,9
	6	7,6	1,9	7,3	2,2	6,8	2,5	6,4	2,9
	7	7,9	1,9	7,5	2,2	7,1	2,5	6,6	2,9
	8	8,1	1,9	7,7	2,2	7,3	2,5	6,8	2,8
	9	8,4	1,9	7,9	2,2	7,5	2,5	7,0	2,8
	10	8,6	1,9	8,2	2,2	7,7	2,5	7,2	2,8
11	5	9,1	2,3	8,7	2,7	8,3	3,0	7,8	3,5
	6	9,4	2,3	9,0	2,6	8,5	3,0	8,1	3,5
	7	9,7	2,3	9,2	2,6	8,8	3,0	8,3	3,4
	8	10,0	2,3	9,5	2,6	9,1	3,0	8,6	3,4
	9	10,3	2,3	9,8	2,6	9,3	3,0	8,8	3,4
	10	10,6	2,3	10,1	2,6	9,6	3,0	9,1	3,4
16	5	13,4	3,5	12,5	3,9	11,7	4,3	10,9	4,9
	6	13,8	3,5	12,9	3,9	12,1	4,3	11,3	4,9
	7	14,2	3,5	13,3	3,9	12,5	4,4	11,7	4,9
	8	14,7	3,5	13,8	3,9	12,9	4,4	12,1	4,9
	9	15,2	3,5	14,3	3,9	13,4	4,4	12,5	4,9
	10	15,7	3,5	14,8	3,9	13,8	4,4	12,9	4,9
19	5	16,2	4,2	15,1	4,7	14,1	5,3	13,2	5,9
	6	16,7	4,2	15,6	4,7	14,6	5,3	13,6	5,9
	7	17,3	4,2	16,1	4,7	15,1	5,3	14,1	5,9
	8	17,8	4,2	16,7	4,7	15,6	5,3	14,6	5,9
	9	18,4	4,2	17,2	4,7	16,1	5,3	15,1	5,9
	10	19,0	4,2	17,8	4,7	16,7	5,3	15,6	5,9
22	5	18,8	4,9	17,5	5,5	16,4	6,1	15,2	6,9
	6	19,4	4,9	18,1	5,5	16,9	6,1	15,8	6,9
	7	20,0	4,9	18,7	5,5	17,5	6,1	16,3	6,9
	8	20,6	4,9	19,3	5,5	18,1	6,2	16,9	6,9
	9	21,4	4,9	20,0	5,5	18,7	6,2	17,4	6,9
	10	22,0	4,9	20,6	5,5	19,3	6,2	18,1	6,9

Pf: total cooling capacity provided

Pa: compressor power

To: water outlet temperature from the heat exchanger users (delta T=5K)

MU ECHOS - HEATING CAPACITY

Model	To	CONDENSER INGOING/OUTGOING WATER TEMPERATURE [°C]							
	[°C]	30/35		35/40		40/45		45/50	
		Pf	Pe	Pf	Pe	Pf	Pe	Pf	Pe
24	5	20,9	5,4	19,9	6,0	19,0	6,6	18,1	7,4
	6	21,5	5,4	20,5	6,0	19,5	6,7	18,6	7,4
	7	22,2	5,4	21,1	6,0	20,1	6,7	19,1	7,4
	8	22,8	5,4	21,8	6,0	20,7	6,7	19,7	7,4
	9	23,6	5,4	22,4	6,0	21,3	6,7	20,3	7,5
28	5	24,3	5,4	23,1	6,0	22,0	6,7	20,9	7,5
	6	24,5	6,3	23,4	7,0	22,3	7,8	21,2	8,6
	7	25,2	6,3	24,0	7,0	22,9	7,8	21,8	8,6
	8	26,0	6,3	24,7	7,0	23,6	7,8	22,4	8,7
	9	26,7	6,3	25,5	7,0	24,3	7,8	23,1	8,7
32	5	27,6	6,3	26,3	7,0	25,0	7,8	23,8	8,7
	6	28,4	6,3	27,0	7,0	25,8	7,8	24,5	8,7
	7	27,9	7,0	26,5	7,8	25,2	8,6	23,9	9,6
	8	28,7	7,0	27,3	7,8	26,0	8,6	24,7	9,6
	9	29,6	7,0	28,1	7,8	26,8	8,7	25,4	9,6
35	5	30,5	7,0	29,0	7,8	27,6	8,7	26,2	9,7
	6	31,4	7,0	29,9	7,8	28,4	8,7	27,0	9,7
	7	32,4	7,0	30,8	7,8	29,3	8,7	27,8	9,7
	8	30,3	7,8	28,8	8,7	27,4	9,6	26,0	10,7
	9	31,2	7,8	29,7	8,7	28,2	9,6	26,7	10,7
42	5	32,2	7,8	30,6	8,7	29,0	9,6	27,6	10,7
	6	33,2	7,8	31,5	8,7	30,0	9,7	28,4	10,8
	7	34,2	7,8	32,5	8,7	30,9	9,7	29,3	10,8
	8	35,2	7,8	33,5	8,7	31,8	9,7	30,2	10,8
	9	36,5	8,7	34,6	9,6	32,5	10,6	30,3	11,8
48	5	37,6	8,7	35,7	9,6	33,6	10,6	31,4	11,8
	6	38,8	8,7	36,8	9,6	34,7	10,7	32,4	11,9
	7	40,0	8,7	38,0	9,6	35,9	10,7	33,5	11,9
	8	41,3	8,8	39,2	9,7	37,0	10,7	34,6	11,9
	9	42,6	8,8	40,5	9,7	38,2	10,7	35,7	11,9
48	5	40,9	9,8	38,8	10,9	36,5	12,0	34,0	13,4
	6	42,2	9,8	40,0	10,9	37,7	12,0	35,2	13,4
	7	43,6	9,8	41,3	10,9	38,9	12,1	36,4	13,4
	8	45,0	9,8	42,7	10,9	40,3	12,1	37,7	13,4
	9	46,5	9,8	44,1	10,9	41,6	12,1	38,9	13,4
	10	48,0	9,8	45,5	10,9	43,0	12,1	40,2	13,4

Pf: total cooling capacity provided

Pa: compressor power

To: water outlet temperature from the heat exchanger users (delta T=5K)

MU ECHOS/LC - COOLING CAPACITY

Model	To	CONDENSATION MEDIUM TEMPERATURE [°C]											
	[°C]	35		40		45		50		55		58	
		Pf	Pe	Pf	Pe	Pf	Pe	Pf	Pe	Pf	Pe	Pf	Pe
6	5	5,8	1,3	5,5	1,4	5,2	1,6	4,9	1,8	4,6	2,1	4,4	2,2
	6	6,0	1,3	5,7	1,4	5,4	1,6	5,1	1,8	4,7	2,1	4,5	2,2
	7	6,2	1,3	5,9	1,4	5,6	1,6	5,2	1,8	4,9	2,1	4,7	2,3
	8	6,4	1,3	6,1	1,4	5,8	1,6	5,4	1,8	5,0	2,1	4,8	2,3
	9	6,6	1,3	6,3	1,4	6,0	1,6	5,6	1,8	5,2	2,1	5,0	2,3
8	5	7,5	1,8	7,1	2,0	6,7	2,3	6,3	2,6	5,9	3,0	5,6	3,3
	6	7,7	1,7	7,4	2,0	6,9	2,3	6,5	2,6	6,1	3,0	5,8	3,3
	7	8,0	1,7	7,6	2,0	7,2	2,3	6,7	2,6	6,3	3,0	6,0	3,3
	8	8,2	1,7	7,8	2,0	7,4	2,3	6,9	2,6	6,5	3,0	6,2	3,2
	9	8,5	1,7	8,1	2,0	7,6	2,3	7,2	2,6	6,7	3,0	6,3	3,2
11	5	10,1	2,2	9,6	2,5	9,1	2,9	8,6	3,3	8,0	3,8	7,7	4,1
	6	10,5	2,2	10,0	2,5	9,4	2,9	8,9	3,3	8,3	3,7	7,9	4,1
	7	10,8	2,2	10,3	2,5	9,7	2,8	9,2	3,3	8,6	3,7	8,2	4,0
	8	11,2	2,2	10,6	2,5	10,1	2,8	9,5	3,2	8,8	3,7	8,4	4,0
	9	11,5	2,2	11,0	2,5	10,4	2,8	9,8	3,2	9,1	3,7	8,7	4,0
16	5	15,3	3,1	14,2	3,5	13,2	3,9	12,3	4,3	11,4	4,9	10,8	5,2
	6	15,8	3,1	14,7	3,5	13,7	3,9	12,7	4,3	11,8	4,8	11,3	5,2
	7	16,4	3,1	15,3	3,5	14,2	3,9	13,2	4,3	12,3	4,8	11,7	5,2
	8	17,0	3,1	15,8	3,4	14,7	3,9	13,7	4,3	12,7	4,8	12,1	5,2
	9	17,6	3,1	16,4	3,4	15,3	3,8	14,2	4,3	13,2	4,8	12,6	5,2
19	5	18,2	3,7	16,9	4,1	15,6	4,6	14,4	5,2	13,3	5,9	12,7	6,3
	6	18,8	3,7	17,5	4,1	16,2	4,6	15,0	5,2	13,8	5,9	13,2	6,3
	7	19,5	3,7	18,1	4,1	16,8	4,6	15,5	5,2	14,4	5,9	13,7	6,3
	8	20,2	3,7	18,8	4,1	17,4	4,6	16,1	5,2	14,9	5,9	14,2	6,3
	9	20,9	3,7	19,4	4,1	18,1	4,6	16,7	5,2	15,5	5,8	14,7	6,3
22	5	21,6	3,7	20,1	4,1	18,7	4,6	17,4	5,2	16,1	5,8	15,3	6,3
	6	21,0	4,4	19,5	4,8	18,0	5,4	16,7	6,1	15,4	6,9	14,6	7,4
	7	21,7	4,3	20,2	4,8	18,7	5,4	17,3	6,1	16,0	6,9	15,2	7,4
	8	22,5	4,3	20,9	4,8	19,4	5,4	18,0	6,1	16,6	6,9	15,8	7,4
	9	23,3	4,3	21,7	4,8	20,1	5,4	18,6	6,1	17,2	6,9	16,4	7,4
22	10	24,1	4,3	22,4	4,8	20,9	5,4	19,3	6,1	17,9	6,9	17,0	7,4
	10	25,0	4,3	23,2	4,8	21,6	5,4	20,0	6,1	18,5	6,9	17,7	7,4

Pf: total cooling capacity provided

Pa: compressor power

To: water outlet temperature from the heat exchanger users (delta T=5K)

MU ECHOS/LC - COOLING CAPACITY

Model	To	CONDENSATION MEDIUM TEMPERATURE [°C]											
	[°C]	35		40		45		50		55		58	
		Pf	Pe	Pf	Pe	Pf	Pe	Pf	Pe	Pf	Pe	Pf	Pe
24	5	23,4	4,9	22,2	5,4	21,0	6,0	19,9	6,7	18,8	7,5	18,1	8,0
	6	24,2	4,8	22,9	5,4	21,7	6,0	20,5	6,7	19,4	7,5	18,7	8,0
	7	25,0	4,8	23,7	5,4	22,4	6,0	21,2	6,7	20,0	7,5	19,3	8,0
	8	25,8	4,8	24,5	5,4	23,2	6,0	21,9	6,7	20,6	7,5	19,9	8,0
	9	26,7	4,8	25,3	5,4	23,9	6,0	22,6	6,7	21,3	7,5	20,5	8,0
	10	27,5	4,8	26,1	5,3	24,7	6,0	23,3	6,7	22,0	7,5	21,2	8,0
28	5	26,5	5,7	25,2	6,3	23,8	7,0	22,5	7,8	21,3	8,7	20,6	9,3
	6	27,4	5,6	26,0	6,3	24,6	7,0	23,3	7,8	22,0	8,7	21,2	9,3
	7	28,3	5,6	26,8	6,2	25,4	7,0	24,0	7,8	22,7	8,7	21,9	9,3
	8	29,2	5,6	27,7	6,2	26,2	7,0	24,8	7,8	23,4	8,7	22,6	9,3
	9	30,2	5,6	28,6	6,2	27,1	7,0	25,6	7,8	24,2	8,7	23,3	9,3
	10	31,1	5,6	29,5	6,2	27,9	7,0	26,4	7,8	24,9	8,7	24,0	9,3
32	5	32,0	6,5	30,3	7,2	28,7	8,0	27,1	9,0	25,6	10,0	24,7	10,7
	6	33,1	6,5	31,3	7,2	29,6	8,0	28,0	9,0	26,4	10,0	25,5	10,7
	7	34,2	6,4	32,4	7,2	30,6	8,0	28,9	9,0	27,3	10,0	26,3	10,7
	8	35,3	6,4	33,4	7,2	31,6	8,0	29,9	9,0	28,1	10,0	27,1	10,7
	9	36,5	6,4	34,5	7,2	32,7	8,0	30,8	9,0	29,0	10,0	28,0	10,7
	10	37,6	6,4	35,6	7,2	33,7	8,0	31,8	9,0	30,0	10,0	28,9	10,7
35	5	34,9	7,1	33,0	7,9	31,3	8,8	29,5	9,9	27,9	11,0	26,9	11,8
	6	36,1	7,1	34,1	7,9	32,3	8,8	30,5	9,9	28,8	11,0	27,7	11,8
	7	37,3	7,1	35,3	7,9	33,4	8,8	31,5	9,9	29,7	11,0	28,6	11,8
	8	38,5	7,1	36,4	7,9	34,5	8,8	32,5	9,9	30,7	11,1	29,6	11,8
	9	39,7	7,1	37,6	7,9	35,6	8,8	33,6	9,9	31,6	11,1	30,5	11,8
	10	41,0	7,1	38,8	7,9	36,7	8,8	34,7	9,9	32,7	11,1	31,5	11,8
42	5	41,4	8,1	39,4	8,9	37,1	9,9	34,7	11,0	32,1	12,3	30,4	13,1
	6	42,8	8,1	40,8	8,9	38,4	9,9	35,9	11,0	33,2	12,3	31,5	13,1
	7	44,2	8,1	42,1	9,0	39,7	9,9	37,2	11,0	34,4	12,3	32,6	13,1
	8	45,7	8,1	43,5	9,0	41,1	9,9	38,5	11,0	35,6	12,3	33,8	13,1
	9	47,2	8,1	44,9	9,0	42,4	9,9	39,7	11,0	36,8	12,3	34,9	13,2
	10	48,7	8,2	46,4	9,0	43,8	10,0	41,1	11,0	38,1	12,3	36,1	13,2
48	5	47,0	9,1	44,5	10,1	41,9	11,3	39,2	12,5	36,2	14,0	34,4	14,9
	6	48,7	9,1	46,1	10,1	43,4	11,3	40,6	12,5	37,6	14,0	35,7	14,9
	7	50,2	9,1	47,7	10,1	44,9	11,2	42,0	12,5	38,9	13,9	37,0	14,9
	8	51,9	9,1	49,3	10,1	46,5	11,2	43,5	12,5	40,4	13,9	38,4	14,9
	9	53,6	9,1	50,9	10,1	48,1	11,2	45,0	12,5	41,8	13,9	39,7	14,9
	10	55,4	9,1	52,6	10,1	49,7	11,2	46,6	12,5	43,3	13,9	41,2	14,9

Pf: total cooling capacity provided
 Pa: compressor power
 To: water outlet temperature from the heat exchanger users (delta T=5K)

MU ECHOS/LC/HP - HEATING CAPACITY

Model	To	CONDENSER INGOING/OUTGOING WATER TEMPERATURE [°C]									
	[°C]	25/30		30/35		35/40		40/45		45/50	
		Pf	Pe	Pf	Pe	Pf	Pe	Pf	Pe	Pf	Pe
6	-15	4,6	1,2	4,6	1,4	4,6	1,5	*	*	*	*
	-10	5,4	1,2	5,4	1,4	5,3	1,6	5,3	1,8	*	*
	-5	6,3	1,2	6,2	1,4	6,1	1,6	6,1	1,8	6,0	2,0
	0	7,3	1,2	7,2	1,4	7,1	1,6	6,9	1,8	6,8	2,0
	5	8,5	1,3	8,3	1,4	8,1	1,6	7,9	1,8	7,7	2,1
8	-15	6,3	1,8	6,3	2,0	6,3	2,3	*	*	*	*
	-10	7,4	1,7	7,3	2,0	7,3	2,3	7,3	2,6	*	*
	-5	8,5	1,7	8,4	1,9	8,3	2,2	8,2	2,6	8,2	2,9
	0	9,8	1,7	9,6	1,9	9,4	2,2	9,3	2,5	9,2	2,9
	5	11,2	1,6	10,9	1,9	10,7	2,2	10,4	2,5	10,2	2,8
11	-15	8,0	2,1	8,0	2,4	8,1	2,8	*	*	*	*
	-10	9,3	2,1	9,2	2,4	9,2	2,7	9,3	3,2	*	*
	-5	10,8	2,1	10,6	2,3	10,5	2,7	10,5	3,1	10,5	3,5
	0	12,5	2,0	12,3	2,3	12,1	2,6	11,9	3,0	11,8	3,4
	5	14,5	2,0	14,1	2,3	13,8	2,6	13,5	2,9	13,2	3,4
16	-15	11,7	3,1	11,4	3,4	11,1	3,8	11,0	4,3	11,0	4,8
	-10	13,4	3,1	13,0	3,5	12,6	3,8	12,4	4,3	12,3	4,8
	-5	15,5	3,1	14,9	3,5	14,4	3,9	14,0	4,3	13,8	4,8
	0	17,9	3,2	17,2	3,5	16,6	3,9	16,1	4,3	15,7	4,9
	5	20,8	3,2	19,9	3,5	19,2	3,9	18,5	4,4	18,0	4,9
19	-15	14,2	3,7	13,8	4,1	13,5	4,6	13,4	5,2	13,4	5,9
	-10	16,3	3,7	15,7	4,1	15,3	4,6	15,0	5,2	14,9	5,9
	-5	18,7	3,7	18,0	4,2	17,4	4,7	17,0	5,2	16,8	5,9
	0	21,7	3,8	20,8	4,2	20,0	4,7	19,4	5,3	19,0	5,9
	5	25,2	3,8	24,1	4,2	23,1	4,7	22,3	5,3	21,7	5,9
22	-15	16,4	4,3	15,8	4,8	15,5	5,4	15,4	6,1	15,4	6,8
	-10	18,8	4,3	18,1	4,8	17,6	5,4	17,3	6,1	17,2	6,9
	-5	21,6	4,4	20,7	4,9	20,1	5,4	19,6	6,1	19,3	6,9
	0	25,0	4,4	23,9	4,9	23,1	5,5	22,4	6,1	21,9	6,9
	5	29,0	4,4	27,7	4,9	26,6	5,5	25,7	6,2	25,0	6,9

Pf: total cooling capacity provided

Pa: compressor power

To: water outlet temperature from the heat exchanger users (delta T=5K)

MU ECHOS/LC/HP - HEATING CAPACITY

Model	To	CONDENSER INGOING/OUTGOING WATER TEMPERATURE [°C]									
	[°C]	25/30		30/35		35/40		40/45		45/50	
		Pf	Pe	Pf	Pe	Pf	Pe	Pf	Pe	Pf	Pe
24	-15	19,5	5,7	19,0	5,9	18,6	6,2	18,4	6,6	18,3	7,1
	-10	21,6	5,3	21,1	5,7	20,7	6,1	20,5	6,6	20,4	7,2
	-5	24,3	5,1	23,7	5,5	23,2	6,0	22,9	6,6	22,7	7,3
	0	27,6	4,9	26,8	5,4	26,3	6,0	25,8	6,7	25,5	7,4
	5	31,6	4,9	30,7	5,4	29,9	6,0	29,3	6,7	28,8	7,5
28	-15	22,9	6,6	22,3	6,9	21,8	7,2	21,6	7,7	21,5	8,2
	-10	25,3	6,2	24,7	6,6	24,2	7,1	24,0	7,7	23,9	8,4
	-5	28,4	5,9	27,7	6,4	27,2	7,0	26,8	7,7	26,7	8,5
	0	32,3	5,7	31,4	6,3	30,8	7,0	30,3	7,8	29,9	8,6
	5	37,0	5,7	35,9	6,3	35,0	7,0	34,3	7,8	33,7	8,7
32	-15	25,7	7,5	25,0	7,8	24,5	8,2	24,1	8,7	24,0	9,3
	-10	28,4	7,0	27,7	7,4	27,1	8,0	26,8	8,6	26,6	9,4
	-5	31,9	6,6	31,1	7,2	30,5	7,8	30,0	8,6	29,8	9,5
	0	36,3	6,4	35,3	7,0	34,5	7,8	33,9	8,6	33,5	9,6
	5	41,7	6,3	40,5	7,0	39,4	7,8	38,5	8,7	37,8	9,7
35	-15	28,0	8,3	27,2	8,6	26,6	9,1	26,3	9,6	26,1	10,3
	-10	30,9	7,7	30,1	8,2	29,5	8,8	29,2	9,6	29,0	10,4
	-5	34,7	7,3	33,8	8,0	33,2	8,7	32,7	9,6	32,4	10,6
	0	39,5	7,1	38,4	7,8	37,6	8,7	36,9	9,6	36,4	10,7
	5	45,3	7,0	44,0	7,8	42,8	8,7	41,9	9,7	41,1	10,8
42	-15	29,6	7,5	29,2	8,3	28,8	9,3	28,5	10,4	*	*
	-10	34,6	7,6	33,9	8,4	33,3	9,4	32,7	10,4	32,1	11,7
	-5	40,3	7,7	39,4	8,5	38,5	9,4	37,5	10,5	36,6	11,7
	0	46,8	7,9	45,6	8,7	44,4	9,6	43,1	10,6	41,9	11,8
	5	54,2	8,0	52,7	8,8	51,2	9,7	49,5	10,7	47,9	11,9
48	-15	33,6	8,8	33,0	9,8	32,4	10,9	32,0	12,2	*	*
	-10	39,2	8,8	38,3	9,8	37,5	10,9	36,7	12,1	36,1	13,5
	-5	45,6	8,8	44,5	9,8	43,4	10,8	42,3	12,0	41,3	13,4
	0	53,1	8,8	51,6	9,8	50,2	10,9	48,7	12,0	47,3	13,4
	5	61,5	8,9	59,7	9,8	57,9	10,9	56,1	12,1	54,2	13,4

Pf: total cooling capacity provided

Pa: compressor power

To: water outlet temperature from the heat exchanger users (delta T=5K)

MU ECHOS/LE - COOLING CAPACITY

Model	Tev [°C]	CONDENSER OUTGOING WATER TEMPERATURE [°C]									
		30		35		40		45		50	
		Pf	Pe	Pf	Pe	Pf	Pe	Pf	Pe	Pf	Pe
6	0	5,8	1,3	5,4	1,5	5,1	1,7	4,7	1,9	4,3	2,1
	2,5	6,3	1,3	6,0	1,5	5,6	1,7	5,2	1,9	4,8	2,1
	5	6,9	1,3	6,5	1,5	6,1	1,7	5,7	1,9	5,3	2,1
	7	7,4	1,3	7,0	1,5	6,6	1,7	6,1	1,9	5,7	2,1
8	10	8,2	1,3	7,8	1,5	7,3	1,7	6,8	1,9	6,3	2,1
	0	8,1	1,6	7,7	1,9	7,2	2,1	6,8	2,4	6,3	2,8
	2,5	8,8	1,6	8,4	1,8	7,9	2,1	7,4	2,4	6,8	2,7
	5	9,6	1,6	9,1	1,8	8,5	2,1	8,0	2,4	7,4	2,7
11	7	10,2	1,6	9,7	1,8	9,1	2,1	8,5	2,4	7,9	2,7
	10	11,2	1,6	10,6	1,8	10,0	2,1	9,4	2,3	8,7	2,7
	0	10,3	2,0	9,8	2,3	9,2	2,6	8,7	3,0	8,1	3,4
	2,5	11,2	2,0	10,7	2,3	10,1	2,6	9,5	3,0	8,8	3,4
16	5	12,3	2,0	11,6	2,3	11,0	2,6	10,3	2,9	9,6	3,4
	7	13,1	2,0	12,5	2,3	11,8	2,6	11,0	2,9	10,3	3,3
	10	14,6	2,0	13,8	2,2	13,0	2,5	12,2	2,9	11,4	3,3
	0	14,8	3,1	13,7	3,4	12,7	3,8	11,7	4,2	10,8	4,7
19	2,5	16,2	3,1	15,0	3,4	13,9	3,8	12,9	4,2	11,9	4,7
	5	17,7	3,1	16,5	3,4	15,3	3,8	14,2	4,2	13,1	4,7
	7	19,0	3,1	17,7	3,4	16,5	3,8	15,3	4,3	14,1	4,7
	10	21,2	3,1	19,7	3,5	18,4	3,8	17,1	4,3	15,9	4,8
22	0	17,3	3,7	15,9	4,1	14,7	4,5	13,5	5,1	12,4	5,7
	2,5	18,9	3,7	17,5	4,1	16,1	4,6	14,9	5,1	13,7	5,7
	5	20,6	3,7	19,1	4,1	17,7	4,6	16,3	5,1	15,0	5,7
	7	22,1	3,7	20,6	4,1	19,1	4,6	17,6	5,1	16,2	5,8
22	10	24,6	3,8	22,9	4,2	21,3	4,6	19,7	5,2	18,2	5,8
	0	20,2	4,3	18,6	4,7	17,1	5,3	15,8	5,9	14,5	6,6
	2,5	22,1	4,3	20,4	4,8	18,8	5,3	17,4	5,9	15,9	6,7
	5	24,1	4,3	22,3	4,8	20,7	5,3	19,1	6,0	17,6	6,7
22	7	25,9	4,3	24,0	4,8	22,3	5,3	20,6	6,0	19,0	6,7
	10	28,8	4,4	26,8	4,8	24,9	5,4	23,0	6,0	21,3	6,7

Pf: cooling capacity [kW]

Pe: electrical power absorbed by the compressors [kW]

Tev: evaporation temperature [°C]

MU ECHOS/LE - COOLING CAPACITY

Model	Tev [°C]	CONDENSER OUTGOING WATER TEMPERATURE [°C]									
		30		35		40		45		50	
		Pf	Pe	Pf	Pe	Pf	Pe	Pf	Pe	Pf	Pe
24	0	22,3	4,8	21,1	5,3	19,9	5,9	18,8	6,5	17,7	7,3
	2,5	24,3	4,8	22,9	5,3	21,6	5,9	20,4	6,6	19,2	7,3
	5	26,4	4,8	24,9	5,3	23,5	5,9	22,2	6,6	20,8	7,4
	7	28,2	4,8	26,6	5,3	25,1	6,0	23,7	6,6	22,2	7,4
28	10	31,1	4,8	29,4	5,4	27,7	6,0	26,1	6,7	24,5	7,5
	0	25,6	5,6	24,2	6,2	22,9	6,9	21,6	7,6	20,3	8,4
	2,5	27,9	5,6	26,3	6,2	24,9	6,9	23,4	7,6	22,1	8,5
	5	30,3	5,6	28,6	6,2	27,0	6,9	25,4	7,7	23,9	8,6
32	7	32,4	5,6	30,6	6,2	28,8	6,9	27,2	7,7	25,5	8,6
	10	35,7	5,6	33,7	6,3	31,8	7,0	30,0	7,8	28,1	8,7
	0	30,6	6,3	28,9	6,9	27,2	7,6	25,7	8,5	24,2	9,4
	2,5	33,3	6,2	31,4	6,9	29,6	7,6	27,9	8,5	26,3	9,5
35	5	36,2	6,2	34,1	6,9	32,2	7,6	30,4	8,5	28,6	9,5
	7	38,7	6,2	36,5	6,9	34,4	7,7	32,4	8,6	30,5	9,5
	10	42,7	6,2	40,3	6,9	38,0	7,7	35,8	8,6	33,7	9,6
	0	32,9	7,1	31,0	7,8	29,3	8,6	27,6	9,6	26,0	10,6
42	2,5	35,7	7,0	33,7	7,8	31,8	8,6	30,0	9,6	28,3	10,7
	5	38,8	7,0	36,7	7,8	34,6	8,6	32,6	9,6	30,7	10,7
	7	41,5	7,0	39,2	7,8	37,0	8,7	34,8	9,7	32,7	10,8
	10	45,8	7,0	43,3	7,8	40,8	8,7	38,4	9,7	36,1	10,9
48	0	39,4	7,7	37,5	8,5	35,3	9,4	33,0	10,4	30,5	11,5
	2,5	43,0	7,8	40,9	8,6	38,6	9,5	36,1	10,5	33,4	11,6
	5	46,8	7,9	44,5	8,7	42,1	9,5	39,4	10,5	36,5	11,7
	7	50,0	7,9	47,6	8,7	45,0	9,6	42,2	10,6	39,2	11,7
48	10	55,1	8,0	52,5	8,8	49,7	9,7	46,6	10,7	43,3	11,8
	0	44,3	8,9	41,9	9,8	39,4	10,9	36,7	12,0	33,9	13,4
	2,5	48,4	8,9	45,8	9,8	43,1	10,9	40,3	12,1	37,3	13,4
	5	52,7	8,9	50,0	9,9	47,1	10,9	44,1	12,1	40,8	13,4
48	7	56,4	9,0	53,5	9,9	50,5	11,0	47,3	12,1	43,9	13,4
	10	62,2	9,0	59,1	10,0	55,8	11,0	52,3	12,2	48,7	13,5

Pf: cooling capacity [kW]
 Pe: electrical power absorbed by the compressors [kW]
 Tev: evaporation temperature [°C]

MU ECHOS/LE/HP - HEATING CAPACITY

Model	To	CONDENSATION MEDIUM TEMPERATURE [°C]											
	[°C]	35		40		45		50		55		60	
		Pf	Pe	Pf	Pe	Pf	Pe	Pf	Pe	Pf	Pe	Pf	Pe
6	6	7,0	1,3	6,9	1,4	6,9	1,6	6,8	1,8	6,8	2,1	*	*
	7	7,2	1,3	7,1	1,4	7,0	1,6	7,0	1,8	6,9	2,1	6,9	2,4
	8	7,4	1,3	7,3	1,4	7,2	1,6	7,1	1,8	7,1	2,1	7,0	2,4
	9	7,6	1,3	7,5	1,4	7,4	1,6	7,3	1,8	7,2	2,1	7,1	2,4
8	10	7,8	1,3	7,7	1,4	7,6	1,6	7,5	1,8	7,4	2,1	7,3	2,4
	6	9,7	1,7	9,5	2,0	9,4	2,3	9,3	2,6	9,3	3,0	9,2	3,4
	7	9,9	1,7	9,7	2,0	9,6	2,3	9,5	2,6	9,4	3,0	9,4	3,4
	8	10,1	1,7	10,0	2,0	9,8	2,3	9,7	2,6	9,6	3,0	9,6	3,4
11	9	10,4	1,7	10,2	2,0	10,1	2,3	9,9	2,6	9,8	3,0	9,7	3,4
	10	10,6	1,7	10,5	2,0	10,3	2,2	10,1	2,6	10,0	3,0	9,9	3,4
	6	11,7	2,2	11,6	2,5	11,6	2,9	11,5	3,3	11,5	3,8	*	*
	7	12,0	2,2	11,9	2,5	11,8	2,9	11,8	3,3	11,7	3,8	11,7	4,3
16	8	12,3	2,2	12,2	2,5	12,1	2,9	12,0	3,3	11,9	3,8	11,9	4,3
	9	12,6	2,2	12,5	2,5	12,4	2,9	12,3	3,3	12,2	3,7	12,1	4,3
	10	13,0	2,2	12,8	2,5	12,6	2,8	12,5	3,3	12,4	3,7	12,4	4,2
	6	18,0	3,1	17,3	3,5	16,8	3,9	16,4	4,3	16,1	4,9	15,9	5,4
19	7	18,5	3,1	17,8	3,5	17,3	3,9	16,8	4,3	16,5	4,9	16,3	5,4
	8	19,0	3,1	18,3	3,5	17,7	3,9	17,3	4,3	17,0	4,8	16,7	5,4
	9	19,5	3,1	18,8	3,5	18,2	3,9	17,7	4,3	17,4	4,8	17,1	5,4
	10	20,0	3,1	19,3	3,5	18,7	3,9	18,2	4,3	17,8	4,8	17,5	5,4
22	6	21,8	3,7	21,0	4,1	20,4	4,6	19,9	5,2	19,5	5,9	19,4	6,6
	7	22,4	3,7	21,6	4,1	20,9	4,6	20,4	5,2	20,0	5,9	19,8	6,6
	8	23,0	3,7	22,2	4,1	21,5	4,6	20,9	5,2	20,5	5,9	20,3	6,6
	9	23,6	3,7	22,8	4,1	22,1	4,6	21,5	5,2	21,0	5,9	20,7	6,6
	10	24,3	3,7	23,4	4,1	22,7	4,6	22,0	5,2	21,6	5,9	21,2	6,6
	6	25,2	4,4	24,3	4,9	23,6	5,4	23,0	6,1	22,7	6,9	22,4	7,8
	7	25,9	4,4	25,0	4,8	24,2	5,4	23,6	6,1	23,2	6,9	22,9	7,8
	8	26,6	4,4	25,7	4,8	24,9	5,4	24,2	6,1	23,8	6,9	23,5	7,8
	9	27,4	4,3	26,4	4,8	25,5	5,4	24,9	6,1	24,4	6,9	24,0	7,8
	10	28,1	4,3	27,1	4,8	26,2	5,4	25,5	6,1	25,0	6,9	24,6	7,7

Pf: total cooling capacity provided

Pa: compressor power

To: water outlet temperature from the heat exchanger users (delta T=5K)

MU ECHOS/LE/HP - HEATING CAPACITY

Model	To	CONDENSATION MEDIUM TEMPERATURE [°C]											
	[°C]	35		40		45		50		55		60	
		Pf	Pe	Pf	Pe	Pf	Pe	Pf	Pe	Pf	Pe	Pf	Pe
24	6	27,5	4,9	26,9	5,4	26,5	6,0	26,2	6,7	26,0	7,5	25,9	8,3
	7	28,2	4,9	27,6	5,4	27,1	6,0	26,8	6,7	26,5	7,5	26,4	8,3
	8	28,9	4,9	28,3	5,4	27,8	6,0	27,4	6,7	27,1	7,5	27,0	8,4
	9	29,6	4,8	29,0	5,4	28,4	6,0	28,0	6,7	27,7	7,5	27,6	8,4
28	6	30,4	4,8	29,7	5,4	29,1	6,0	28,7	6,7	28,4	7,5	28,1	8,4
	7	32,2	5,7	31,5	6,3	31,0	7,0	30,6	7,8	30,4	8,7	30,3	9,7
	8	33,0	5,7	32,3	6,3	31,7	7,0	31,3	7,8	31,1	8,7	30,9	9,7
	9	33,8	5,7	33,1	6,3	32,5	7,0	32,1	7,8	31,8	8,7	31,6	9,7
32	6	34,7	5,6	33,9	6,3	33,3	7,0	32,8	7,8	32,5	8,7	32,3	9,7
	7	35,5	5,6	34,7	6,2	34,1	7,0	33,6	7,8	33,2	8,7	33,0	9,7
	8	36,3	6,6	35,5	7,2	34,9	8,0	34,5	9,0	34,2	10,0	34,1	11,1
	9	37,2	6,5	36,4	7,2	35,7	8,0	35,3	9,0	35,0	10,0	34,8	11,2
35	6	38,1	6,5	37,3	7,2	36,6	8,0	36,1	9,0	35,8	10,0	35,5	11,2
	7	39,1	6,5	38,2	7,2	37,5	8,0	37,0	9,0	36,6	10,0	36,3	11,2
	8	40,1	6,5	39,2	7,2	38,4	8,0	37,8	9,0	37,4	10,0	37,1	11,2
	9	39,7	7,2	38,9	8,0	38,2	8,9	37,7	9,9	37,4	11,0	37,3	12,3
42	6	40,7	7,2	39,8	7,9	39,1	8,8	38,6	9,9	38,2	11,0	38,1	12,3
	7	41,7	7,1	40,8	7,9	40,1	8,8	39,5	9,9	39,1	11,0	38,9	12,3
	8	42,8	7,1	41,8	7,9	41,0	8,8	40,4	9,9	40,0	11,0	39,7	12,3
	9	43,9	7,1	42,9	7,9	42,1	8,8	41,4	9,9	40,9	11,0	40,5	12,3
48	6	47,0	8,1	46,0	8,9	45,0	9,9	43,9	11,0	42,9	12,3	41,8	13,8
	7	48,2	8,1	47,2	8,9	46,2	9,9	45,0	11,0	43,9	12,3	42,8	13,7
	8	49,5	8,1	48,5	8,9	47,4	9,9	46,2	11,0	45,0	12,3	43,8	13,7
	9	50,9	8,1	49,8	8,9	48,6	9,9	47,4	11,0	46,1	12,3	44,8	13,8
48	6	52,3	8,1	51,1	9,0	49,9	9,9	48,6	11,0	47,3	12,3	45,9	13,8
	7	52,8	9,2	51,6	10,2	50,5	11,3	49,3	12,5	48,1	14,0	47,0	15,7
	8	54,2	9,2	53,0	10,1	51,8	11,3	50,5	12,5	49,3	14,0	48,1	15,6
	9	55,7	9,1	54,4	10,1	53,1	11,3	51,9	12,5	50,6	14,0	49,3	15,6
48	6	57,2	9,1	55,9	10,1	54,5	11,3	53,2	12,5	51,9	14,0	50,5	15,6
	10	58,7	9,1	57,4	10,1	56,0	11,2	54,6	12,5	53,2	13,9	51,7	15,6

Pf: total cooling capacity provided
 Pa: compressor power
 To: water outlet temperature from the heat exchanger users (delta T=5K)

MU ECHOS - NOISE LEVELS

Model	OCTAVE BAND [dB]																Total [dB(A)]	
	63 Hz		125 Hz		250 Hz		500 Hz		1000 Hz		2000 Hz		4000 Hz		8000 Hz		Lw	Lp
	Lw	Lp	Lw	Lp	Lw	Lp	Lw	Lp	Lw	Lp	Lw	Lp	Lw	Lp	Lw	Lp		
6	64	50	61	47	61	47	57	43	59	45	47	33	36	22	29	15	61	47
8	41	27	69	55	62	48	57	43	56	42	47	33	40	26	33	19	61	47
11	82	68	77	63	53	39	48	34	47	33	44	30	33	19	30	16	62	48
16	73	59	69	55	59	45	57	43	59	45	51	37	39	25	37	23	62	48
19	74	60	69	55	58	44	57	43	58	44	54	40	42	28	39	25	62	48
22	79	65	79	65	73	59	38	24	63	49	58	44	51	37	50	36	69	55
24	74	60	74	60	74	60	66	52	59	45	57	43	44	30	40	26	69	55
28	72	58	73	59	74	60	71	57	63	49	54	40	45	31	39	25	71	57
32	80	66	80	66	74	60	68	54	60	46	61	47	45	31	51	37	71	57
35	79	65	79	65	76	62	67	53	59	45	60	46	44	30	50	36	71	57
42	80	66	80	66	77	63	68	54	60	46	61	47	45	31	51	37	72	58
48	79	65	79	65	79	65	71	57	64	50	62	48	49	35	45	31	74	60

MU ECHOS/LN - NOISE LEVELS

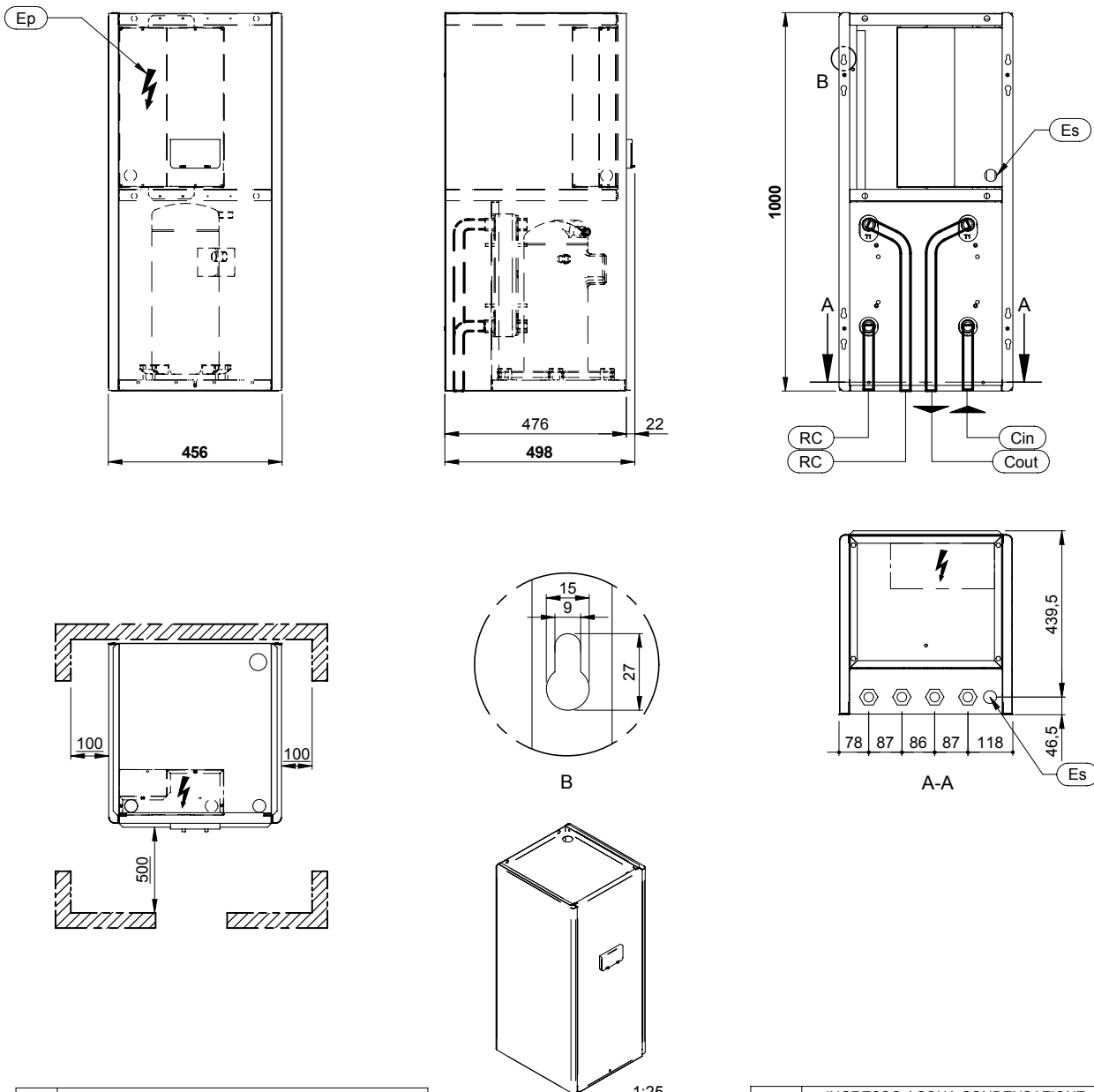
Model	OCTAVE BAND [dB]																Total [dB(A)]	
	63 Hz		125 Hz		250 Hz		500 Hz		1000 Hz		2000 Hz		4000 Hz		8000 Hz		Lw	Lp
	Lw	Lp	Lw	Lp	Lw	Lp	Lw	Lp	Lw	Lp	Lw	Lp	Lw	Lp	Lw	Lp		
6	65	51	60	46	60	46	56	42	57	43	43	29	32	18	25	11	59	45
8	42	28	68	54	60	46	55	41	55	41	45	31	36	22	30	16	59	45
11	81	67	74	60	49	35	42	28	45	31	41	27	31	17	27	13	60	46
16	74	60	65	51	56	42	55	41	57	43	49	35	34	20	34	20	60	46
19	74	60	67	53	55	41	54	40	56	42	52	38	40	26	36	22	60	46
22	81	67	79	65	70	56	37	23	61	47	56	42	48	34	47	33	67	53
24	74	60	73	59	70	56	65	51	57	43	57	43	44	30	38	24	67	53
28	71	57	73	59	71	57	68	54	62	48	53	39	44	30	37	23	69	55
32	80	66	78	64	72	58	66	52	58	44	58	44	43	29	48	34	69	55
35	80	66	77	63	74	60	65	51	57	43	58	44	42	28	47	33	69	55
42	80	66	79	65	74	60	66	52	58	44	57	43	43	29	47	33	70	56
48	79	65	77	63	77	63	69	55	60	46	60	46	46	32	43	29	72	58

Lw:sound power levels measured in free field according to standard ISO 3744; under nominal operating conditions.
Lp:sound pressure levels measured at 1 metres from the unit in free field under nominal operating conditions, according to ISO 3744.

DIMENSIONAL DRAWING

MU ECHOS/LE 6 - 11

MU ECHOS/LE/HP 6 - 11



Ep	QUADRO ELETTRICO ELECTRICAL PANEL
Es	INGRESSO ALIMENTAZIONE ELETTRICA ELECTRICAL SUPPLY INLET
	SPAZI DI INSTALLAZIONE CLEARANCES

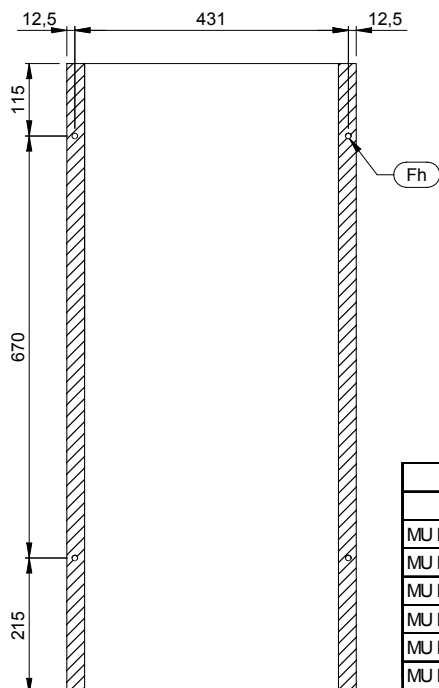
Cin	Cout
G 1" F	G 1" F

Cin	INGRESSO ACQUA CONDENSAZIONE CONDENSING WATER INLET
Cout	USCITA ACQUA CONDENSAZIONE CONDENSING WATER OUTLET
Rc	CONNESSIONI REFRIGERANTE REFRIGERANT CONNECTIONS

DIMENSIONAL DRAWING

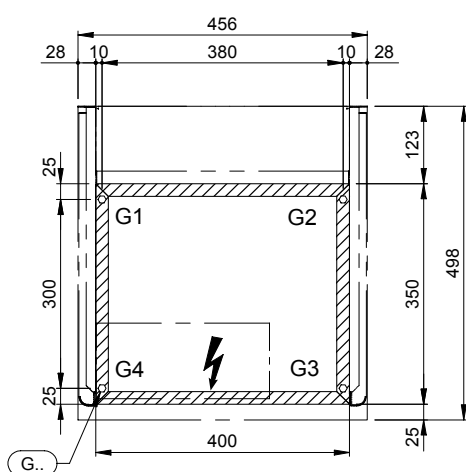
MU ECHOS/LE 6 - 11

MU ECHOS/LE/HP 6 - 11



MODELLO	PESO(Kg)	PESO IN FUNZIONE(Kg)	G1	G2	G3	G4
MODEL	WEIGHT(Kg)	OPERATING WEIGHT(Kg)	(Kg)	(Kg)	(Kg)	(Kg)
MU ECHOS LE 6	89	89	21	20	24	24
MU ECHOS LE 8	95	95	21	22	26	26
MU ECHOS LE 11	98	98	22	22	27	27
MU ECHOS LE/HP 6	94	94	22	22	25	25
MU ECHOS LE/HP 8	99	100	23	24	27	26
MU ECHOS LE/HP 11	104	105	24	25	29	27

IMPRONTA A PARETE / WALLPRINT



Fh	FORI DI FISSAGGIO FIXING HOLES	ø 9
G..	PUNTI DI APPOGGIO ANTIVIBRANTI VIBRATION DAMPER FOOT HOLDS	M 8 F

IMPRONTA A TERRA / FOOTPRINT

C411226A

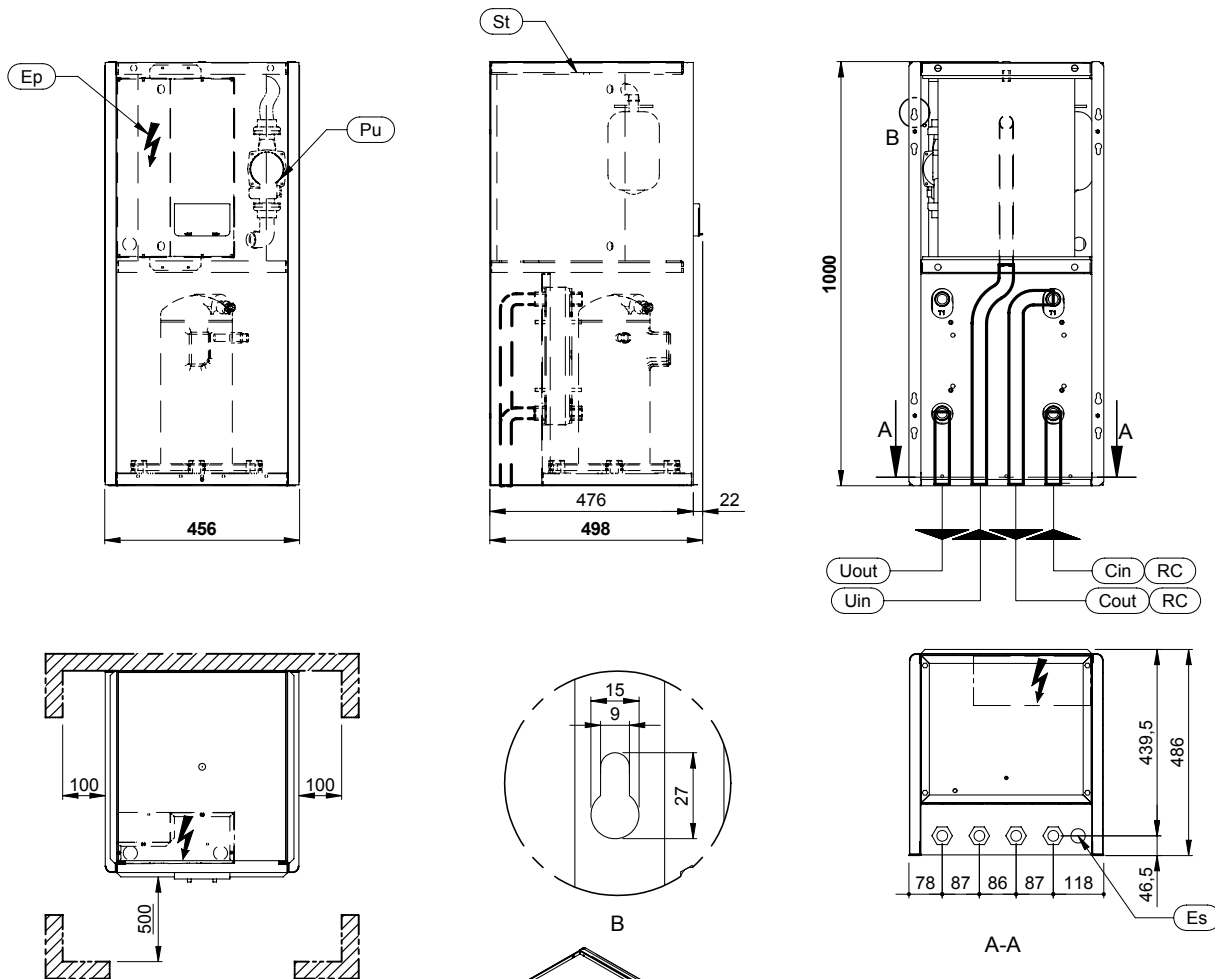
DIMENSIONAL DRAWING

MU ECHOS/ST 1PS 6 - 11

MU ECHOS/LC-ST 1PS 6 - 11

MU ECHOS/HP-ST 1PS 6 - 11

MU ECHOS/LC/HP-ST 1PS 6 - 11



Pu	POMPA PUMP
Ep	QUADRO ELETTRICO ELECTRICAL PANEL
Es	INGRESSO ALIMENTAZIONE ELETTRICA ELECTRICAL SUPPLY INLET
St	SERBATOIO DI ACCUMULO STORAGE TANK
	SPAZI DI INSTALLAZIONE CLEARANCES

Uin	Uout	Cin	Cout
G 1" F	G 1" F	G 1" F	G 1" F

Uin	INGRESSO ACQUA UTILIZZO USER WATER INLET
Uout	USCITA ACQUA UTILIZZO USER WATER OUTLET
Cin	INGRESSO ACQUA CONDENSAZIONE CONDENSING WATER INLET
Cout	USCITA ACQUA CONDENSAZIONE CONDENSING WATER OUTLET
Rc	CONNESSIONI REFRIGERANTE REFRIGERANT CONNECTIONS

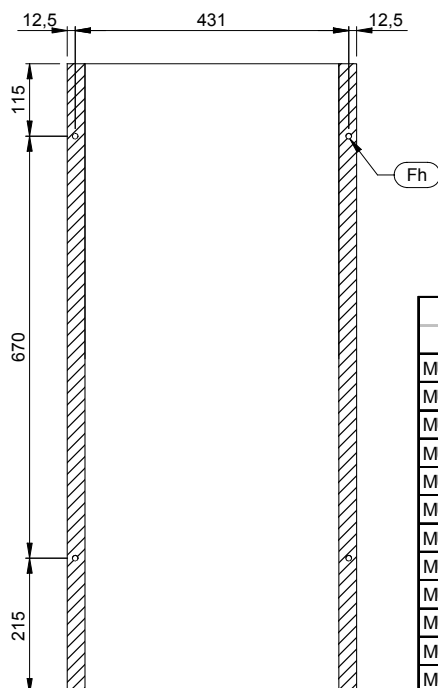
DIMENSIONAL DRAWING

MU ECHOS/ST 1PS 6 - 11

MU ECHOS/LC-ST 1PS 6 - 11

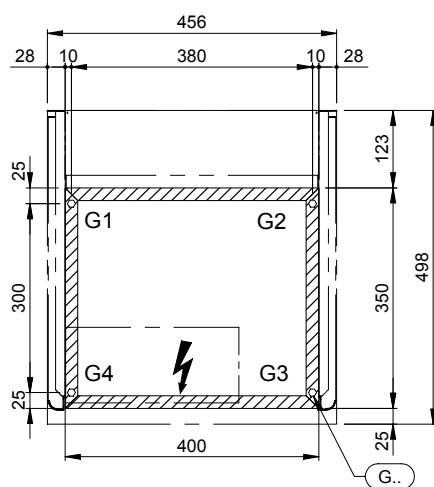
MU ECHOS/HP-ST 1PS 6 - 11

MU ECHOS/LC/HP-ST 1PS 6 - 11



MODELLO	PESO(Kg)	PESO IN FUNZIONE(Kg)	G1	G2	G3	G4
MODEL	WEIGHT(Kg)	OPERATING WEIGHT(Kg)	(Kg)	(Kg)	(Kg)	(Kg)
MU ECHOS ST 1PS 6	125	158	48	48	31	31
MU ECHOS ST 1PS 8	131	164	50	49	32	33
MU ECHOS ST 1PS 11	136	169	52	50	33	34
MU ECHOS LC-ST 1PS 6	126	158	48	48	31	31
MU ECHOS LC-ST 1PS 8	131	164	50	49	32	33
MU ECHOS LC-ST 1PS 11	136	169	52	50	33	34
MU ECHOS HP-ST 1PS 6	130	163	49	50	32	32
MU ECHOS HP-ST 1PS 8	134	168	51	51	33	33
MU ECHOS HP-ST 1PS 11	140	174	53	53	34	34
MU ECHOS LC/HP-ST 1PS 6	129	161	49	48	32	32
MU ECHOS LC/HP-ST 1PS 8	135	168	51	50	33	34
MU ECHOS LC/HP-ST 1PS 11	138	171	52	50	34	35

IMPRONTA A PARETE / WALLPRINT



Fh	FORI DI FISSAGGIO FIXING HOLES	ø 9
G..	PUNTI DI APPOGGIO ANTIVIBRANTI VIBRATION DAMPER FOOT HOLDS	M 8 F

IMPRONTA A TERRA / FOOTPRINT

DIMENSIONAL DRAWING

MU ECHOS16 - 22

MU ECHOS/LC 16 - 22

MU ECHOS/LE 16 - 22

MU ECHOS/ST 1P 16 - 22

MU ECHOS/LC-ST 1P 16 - 22

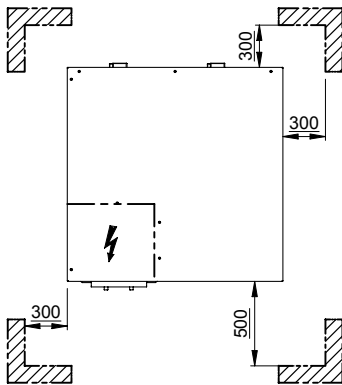
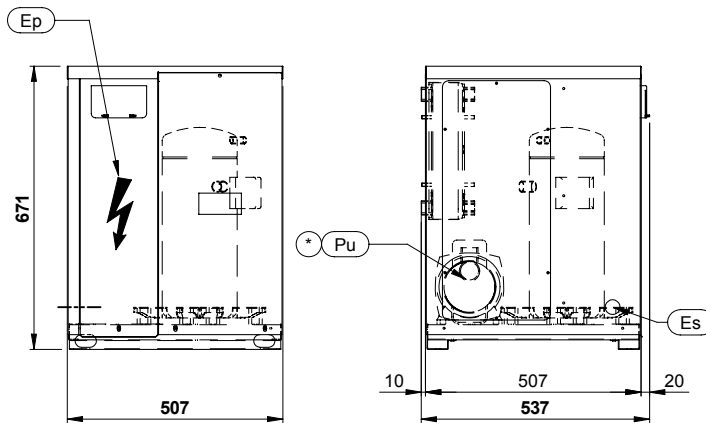
MU ECHOS/HP 16 - 22

MU ECHOS/LC/HP 16 - 22

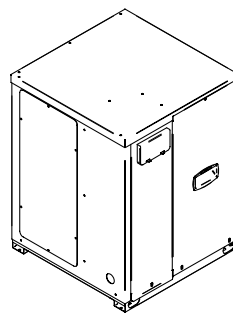
MU ECHOS/LE/HP 16 - 22

MU ECHOS/HP-ST 1P 16 - 22

MU ECHOS/LC/HP-ST 1P 16 - 22



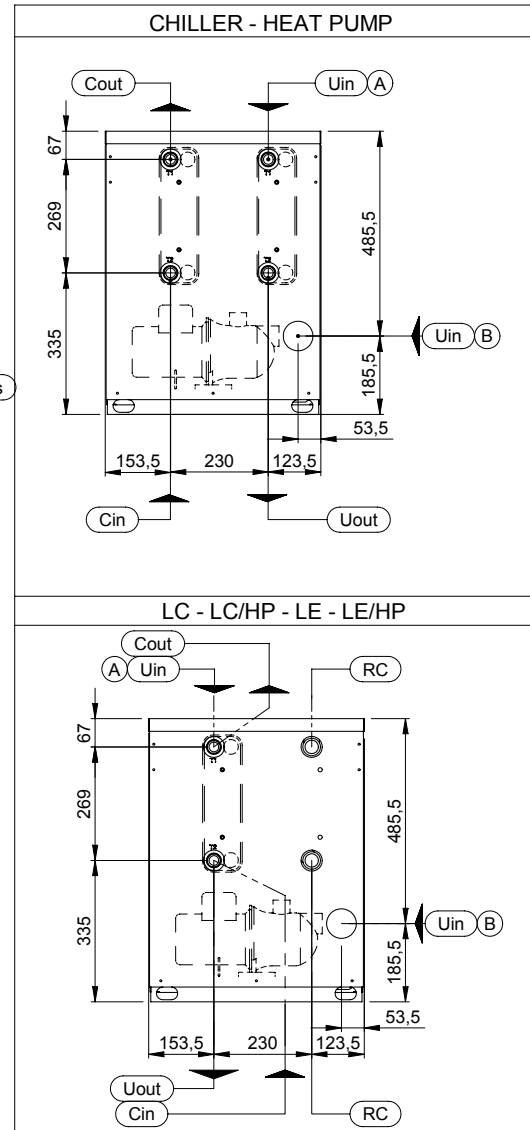
- (A) Versione senza /ST1P
Mod. without /ST1P
- (B) Versione con /ST1P
Mod. with /ST1P



1:20

*	OPTIONAL
Pu	POMPA PUMP
Ep	QUADRO ELETTRICO ELECTRICAL PANEL
Es	INGRESSO ALIMENTAZIONE ELETTRICA ELECTRICAL SUPPLY INLET
▨	SPAZI DI INSTALLAZIONE CLEARANCES

Uin		Uout	Cin	Cout
A	B			
G 1" M	G 1 1/4" F	G 1" M	G 1" M	G 1" M



Uin	INGRESSO ACQUA UTILIZZO USER WATER INLET
Uout	USCITA ACQUA UTILIZZO USER WATER OUTLET
Cin	INGRESSO ACQUA CONDENSAZIONE CONDENSING WATER INLET
Cout	USCITA ACQUA CONDENSAZIONE CONDENSING WATER OUTLET
Rc	CONNESSIONI REFRIGERANTE REFRIGERANT CONNECTIONS

DIMENSIONAL DRAWING

MU ECHOS16 - 22

MU ECHOS/LC 16 - 22

MU ECHOS/LE 16 - 22

MU ECHOS/ST 1P 16 - 22

MU ECHOS/LC-ST 1P 16 - 22

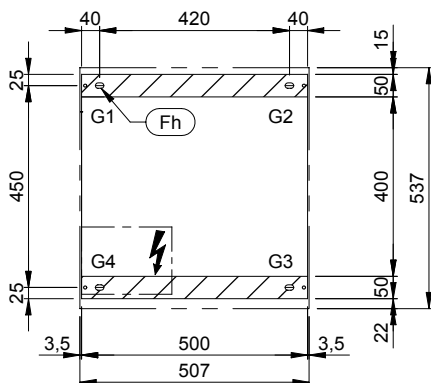
MU ECHOS/HP 16 - 22

MU ECHOS/LC/HP 16 - 22

MU ECHOS/LE/HP 16 - 22

MU ECHOS/HP-ST 1P 16 - 22

MU ECHOSLC/HP-ST 1P 16 - 22



IMPRONTA A TERRA/FOOTPRINT

Fh	FORI DI FISSAGGIO FIXING HOLES	Ø12
G..	PUNTI DI APPOGGIO ANTIVIBRANTI VIBRATION DAMPER FOOT HOLDS	

MODELLO	PESO(Kg)	PESO IN FUNZIONE(Kg)	G1(Kg)	G2(Kg)	G3(Kg)	G4(Kg)
MODEL	WEIGHT(Kg)	OPERATING WEIGHT(Kg)				
MU ECHOS 16	100	102	26	26	25	25
MU ECHOS 19	103	106	28	27	25	26
MU ECHOS 22	109	112	30	29	26	27
MU ECHOS LC 16	97	98	23	24	26	25
MU ECHOS LC 19	99	100	24	25	26	25
MU ECHOS LC 22	103	104	25	26	27	26
MU ECHOS LE 16	97	98	23	24	26	25
MU ECHOS LE 19	101	102	24	26	27	25
MU ECHOS LE 22	102	104	25	27	27	25
MU ECHOS ST 1P 16	113	115	31	30	27	27
MU ECHOS ST 1P 19	118	121	33	32	28	28
MU ECHOS ST 1P 22	125	128	35	35	29	29
MU ECHOS LC-ST 1P 16	109	110	27	28	28	27
MU ECHOS LC-ST 1P 19	114	115	28	30	29	28
MU ECHOS LC-ST 1P 22	119	120	30	32	30	28
MU ECHOS HP 16	102	104	27	26	25	26
MU ECHOS HP 19	108	110	29	28	26	27
MU ECHOS HP 22	111	114	31	29	26	28
MU ECHOS LC/HP 16	101	102	24	25	27	26
MU ECHOS LC/HP 19	103	104	25	26	27	26
MU ECHOS LC/HP 22	105	106	25	27	28	26
MU ECHOS LE/HP 16	100	101	24	24	27	26
MU ECHOS LE/HP 19	101	102	24	25	27	26
MU ECHOS LE/HP 22	107	108	26	27	28	27
MU ECHOS HP-ST 1P 16	115	117	31	30	28	28
MU ECHOS HP-ST 1P 19	121	123	33	32	29	29
MU ECHOS HP-ST 1P 22	129	132	36	35	30	31
MU ECHOS LC/HP-ST 1P 16	113	114	28	29	29	28
MU ECHOS LC/HP-ST 1P 19	116	117	29	30	30	28
MU ECHOS LC/HP-ST 1P 22	123	124	31	33	31	29

DIMENSIONAL DRAWING

MU ECHOS16 - 22

MU ECHOS/LC 16 - 22

MU ECHOS/LE 16 - 22

MU ECHOS/ST 1P 16 - 22

MU ECHOS/LC-ST 1P 16 - 22

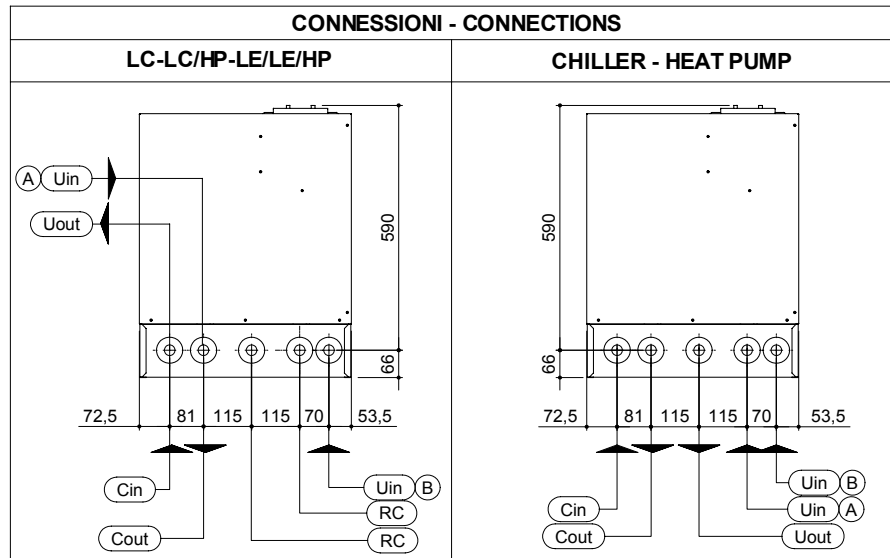
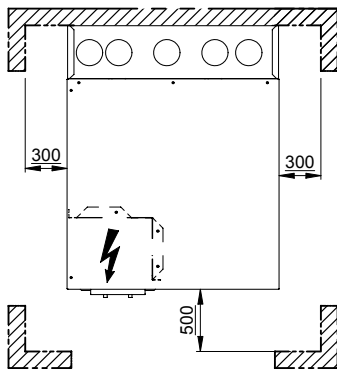
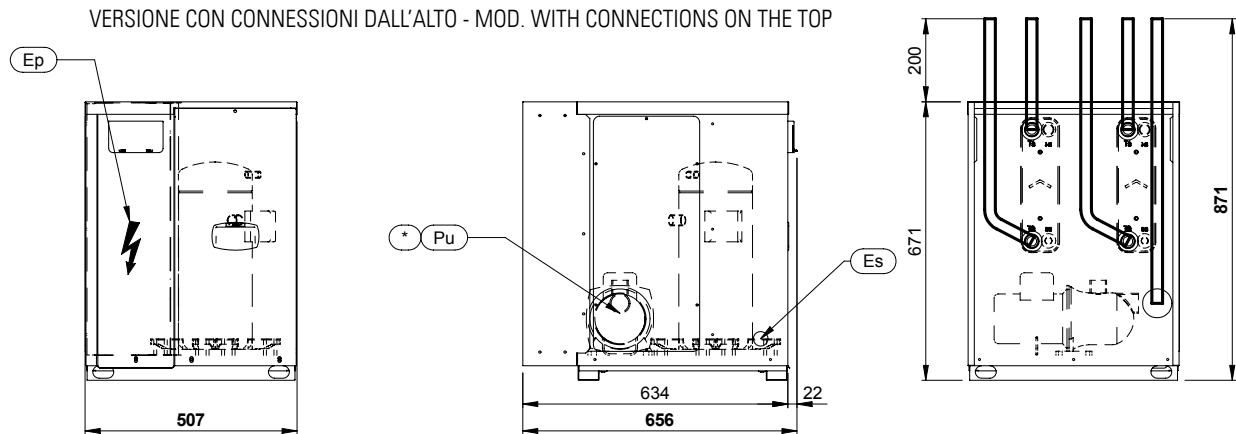
MU ECHOS/HP 16 - 22

MU ECHOS/LC/HP 16 - 22

MU ECHOS/LE/HP 16 - 22

MU ECHOS/HP-ST 1P 16 - 22

MU ECHOS/LC/HP-ST 1P 16 - 22



Uin		Uout	Cin	Cout
A	B			
G 1" F	G 1 1/4" F	G 1" F	G 1" F	G 1" F

*	OPTIONAL
---	----------

Pu	POMPA PUMP
----	---------------

Ep	QUADRO ELETTRICO ELECTRICAL PANEL
----	--------------------------------------

Es	INGRESSO ALIMENTAZIONE ELETTRICA ELECTRICAL SUPPLY INLET
----	---

	SPAZI DI INSTALLAZIONE CLEARANCES
--	--------------------------------------

(A) Versione senza /ST1P
Mod. without /ST1P

(B) Versione con /ST1P
Mod. with /ST1P

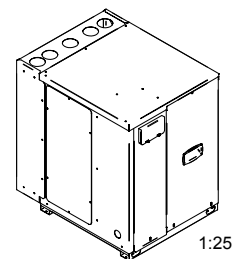
Uin	INGRESSO ACQUA UTILIZZO USER WATER INLET
-----	---

Uout	USCITA ACQUA UTILIZZO USER WATER OUTLET
------	--

Cin	INGRESSO ACQUA CONDENSAZIONE CONDENSING WATER INLET
-----	--

Cout	USCITA ACQUA CONDENSAZIONE CONDENSING WATER OUTLET
------	---

Rc	CONNESSIONI REFRIGERANTE REFRIGERANT CONNECTIONS
----	---



DIMENSIONAL DRAWING

MU ECHOS16 - 22

MU ECHOS/LC 16 - 22

MU ECHOS/LE 16 - 22

MU ECHOS/ST 1P 16 - 22

MU ECHOS/LC-ST 1P 16 - 22

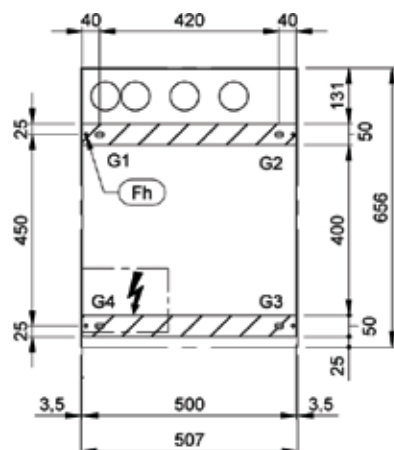
MU ECHOS/HP 16 - 22

MU ECHOS/LC/HP 16 - 22

MU ECHOS/LE/HP 16 - 22

MU ECHOS/HP-ST 1P 16 - 22

MU ECHOSLC/HP-ST 1P 16 - 22



IMPRONTA A TERRA/FOOTPRINT

Fh	FORI DI FISSAGGIO FIXING HOLES	Ø12
G..	PUNTI DI APPOGGIO ANTIVIBRANTI VIBRATION DAMPER FOOT HOLDS	

MODELLO	PESO(Kg)	PESO IN FUNZIONE(Kg)	G1(Kg)	G2(Kg)	G3(Kg)	G4(Kg)
MODEL	WEIGHT(Kg)	OPERATING WEIGHT(Kg)				
MU ECHOS 16	105	107	25	30	28	24
MU ECHOS 19	110	113	27	32	29	25
MU ECHOS 22	116	119	29	34	30	26
MU ECHOS LC 16	103	104	22	28	30	24
MU ECHOS LC 19	105	106	23	29	30	24
MU ECHOS LC 22	108	109	24	30	31	24
MU ECHOS LE 16	104	105	23	29	30	23
MU ECHOS LE 19	107	108	23	30	31	24
MU ECHOS LE 22	108	110	24	31	31	24
MU ECHOS ST 1P 16	120	122	30	35	31	26
MU ECHOS ST 1P 19	125	128	32	37	32	27
MU ECHOS ST 1P 22	133	136	34	40	33	29
MU ECHOS LC-ST 1P 16	116	117	26	33	32	26
MU ECHOS LC-ST 1P 19	120	121	27	34	33	27
MU ECHOS LC-ST 1P 22	125	126	29	36	34	27
MU ECHOS HP 16	108	110	26	30	29	25
MU ECHOS HP 19	114	116	28	32	30	26
MU ECHOS HP 22	118	121	30	34	30	27
MU ECHOS LC/HP 16	107	108	23	29	31	25
MU ECHOS LC/HP 19	110	111	24	30	32	25
MU ECHOS LC/HP 22	112	113	25	31	32	25
MU ECHOS LE/HP 16	104	105	23	28	30	24
MU ECHOS LE/HP 19	109	110	24	30	31	25
MU ECHOS LE/HP 22	111	112	24	31	32	25
MU ECHOS HP-ST 1P 16	123	125	31	35	31	28
MU ECHOS HP-ST 1P 19	127	129	32	37	32	28
MU ECHOS HP-ST 1P 22	135	138	35	40	33	30
MU ECHOS LC/HP-ST 1P 16	119	120	27	33	33	27
MU ECHOS LC/HP-ST 1P 19	123	124	28	35	34	27
MU ECHOS LC/HP-ST 1P 22	129	130	30	37	35	28

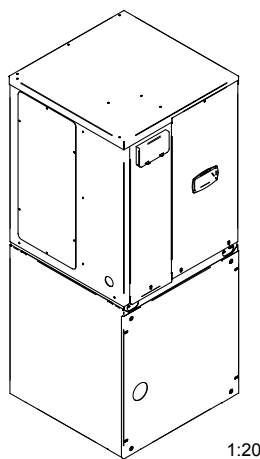
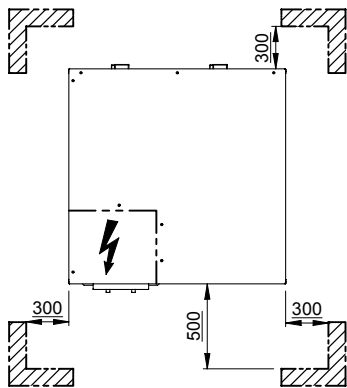
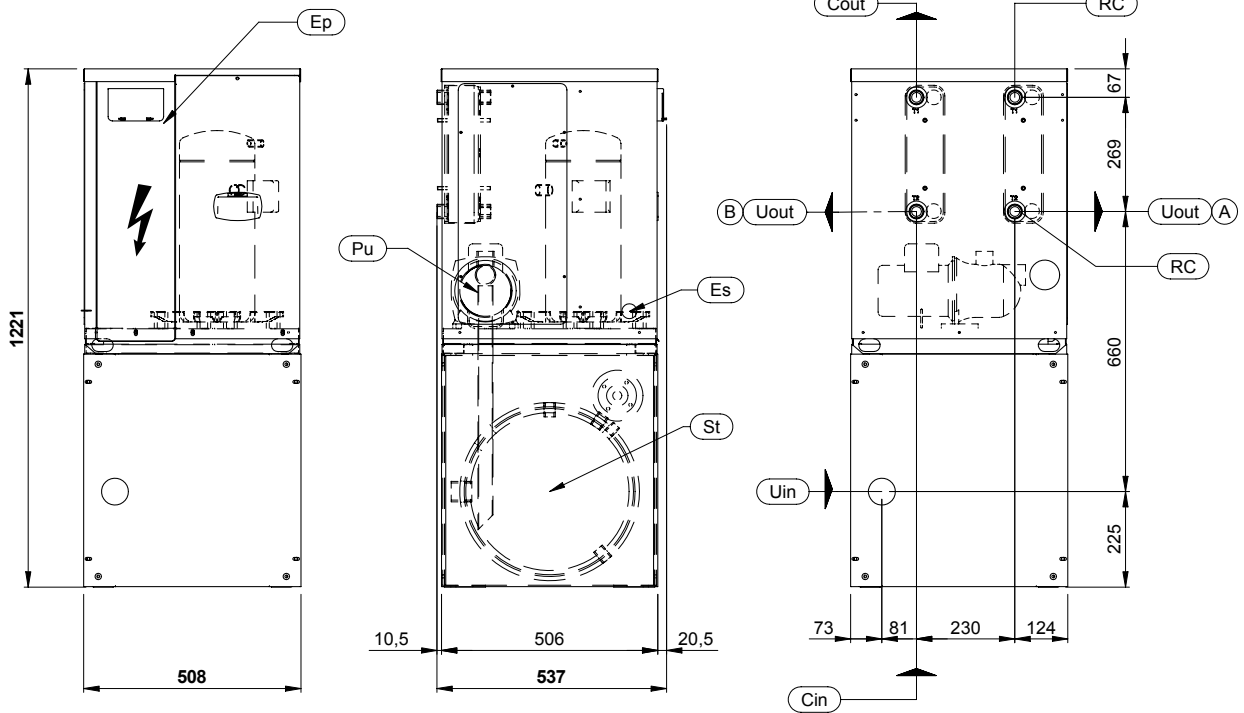
DIMENSIONAL DRAWING

MU ECHOS/ST 1PS 16 - 22

MU ECHOS/LC-ST 1PS 16 - 22

MU ECHOS/HP-ST 1PS 16 - 22

MU ECHOS/LC/HP-ST 1PS 16 - 22



(A) Versione Chiller - Heat Pump
Mod. Chiller - Heat Pump

(B) Versione /LC-LC/HP
Mod./LC-LC/HP

Pu	POMPA PUMP
Ep	QUADRO ELETTRICO ELECTRICAL PANEL
Es	INGRESSO ALIMENTAZIONE ELETTRICA ELECTRICAL SUPPLY INLET
St	SERBATOIO DI ACCUMULO STORAGE TANK
	SPAZI DI INSTALLAZIONE CLEARANCES

Uin	Uout	Cin	Cout
G 1 1/4" F	G 1" M	G 1" M	G 1" M

Uin	INGRESSO ACQUA UTILIZZO USER WATER INLET
Uout	USCITA ACQUA UTILIZZO USER WATER OUTLET
Cin	INGRESSO ACQUA CONDENSAZIONE CONDENSING WATER INLET
Cout	USCITA ACQUA CONDENSAZIONE CONDENSING WATER OUTLET
Rc	CONNESSIONI REFRIGERANTE REFRIGERANT CONNECTIONS

DIMENSIONAL DRAWING

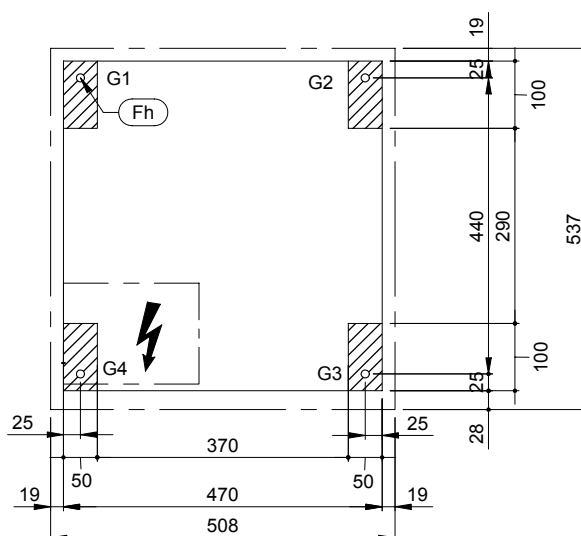
MU ECHOS/ST 1PS 16 - 22

MU ECHOS/LC-ST 1PS 16 - 22

MU ECHOS/HP-ST 1PS 16 - 22

MU ECHOS/LC/HP-ST 1PS 16 - 22

Fh	FORI DI FISSAGGIO FIXING HOLES	Ø12
G..	PUNTI DI APPOGGIO ANTIVIBRANTI VIBRATION DAMPER FOOT HOLDS	



IMPRONTA A TERRA/FOOTPRINT

MODELLO	PESO(Kg)	PESO IN FUNZIONE(Kg)	G1(Kg)	G2(Kg)	G3(Kg)	G4(Kg)
MODEL	WEIGHT(Kg)	OPERATING WEIGHT(Kg)				
MU ECHOS ST 1PS 16	172	226	53	59	60	54
MU ECHOS ST 1PS 19	176	231	55	61	61	54
MU ECHOS ST 1PS 22	183	238	57	64	62	55
MU ECHOS LC-ST 1PS 16	168	221	50	57	61	53
MU ECHOS LC-ST 1PS 19	170	223	50	58	62	53
MU ECHOS LC-ST 1PS 22	177	230	52	61	63	54
MU ECHOS HP-ST 1PS 16	175	229	54	60	60	55
MU ECHOS HP-ST 1PS 19	181	235	56	62	61	56
MU ECHOS HP-ST 1PS 22	184	239	57	64	62	56
MU ECHOS LC/HP-ST 1PS 16	171	224	50	58	62	54
MU ECHOS LC/HP-ST 1PS 19	174	227	51	59	63	54
MU ECHOS LC/HP-ST 1PS 22	180	233	53	61	64	55

DIMENSIONAL DRAWING

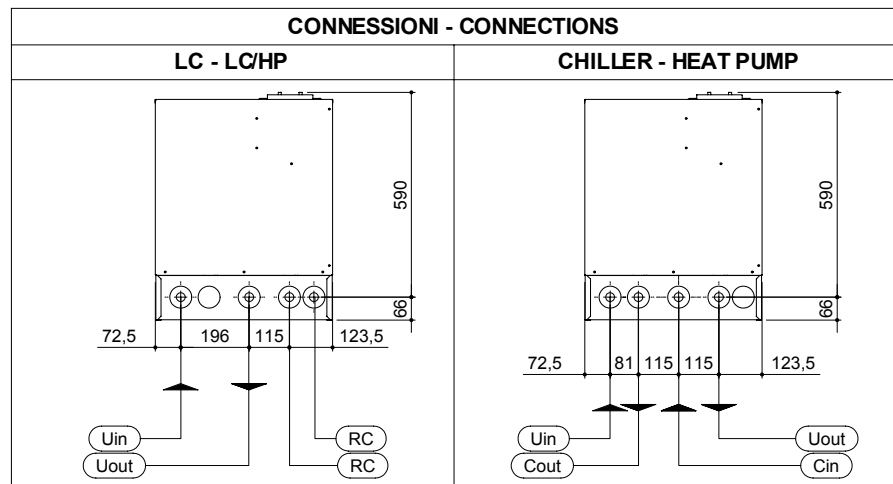
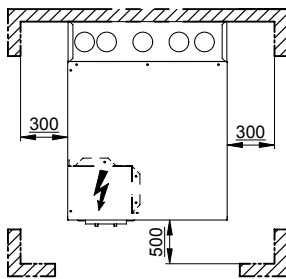
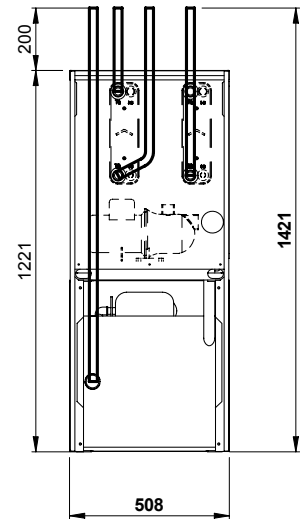
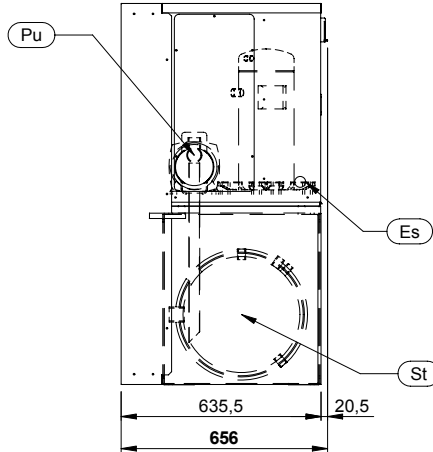
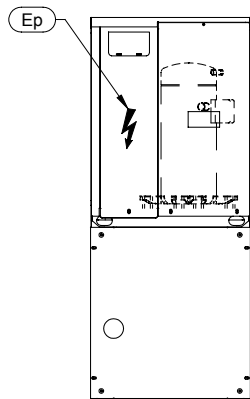
MU ECHOS/ST 1PS 16 - 22

MU ECHOS/LC-ST 1PS 16 - 22

MU ECHOS/HP-ST 1PS 16 - 22

MU ECHOS/LC/HP-ST 1PS 16 - 22

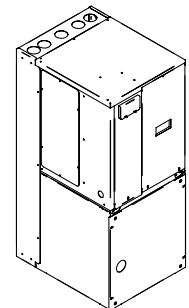
VERSIONE CON CONNESSIONI DALL'ALTO - MOD. WITH CONNECTIONS ON THE TOP



Uin	Uout	Cin	Cout
G 1 1/4" F	G 1" F	G 1" F	G 1" F

Pu	POMPA PUMP
Ep	QUADRO ELETTRICO ELECTRICAL PANEL
Es	INGRESSO ALIMENTAZIONE ELETTRICA ELECTRICAL SUPPLY INLET
St	SERBATOIO DI ACCUMULO STORAGE TANK
	SPAZI DI INSTALLAZIONE CLEARANCES

Uin	INGRESSO ACQUA UTILIZZO USER WATER INLET
Uout	USCITA ACQUA UTILIZZO USER WATER OUTLET
Cin	INGRESSO ACQUA CONDENSAZIONE CONDENSING WATER INLET
Cout	USCITA ACQUA CONDENSAZIONE CONDENSING WATER OUTLET
Rc	CONNESSIONI REFRIGERANTE REFRIGERANT CONNECTIONS



1:30

DIMENSIONAL DRAWING

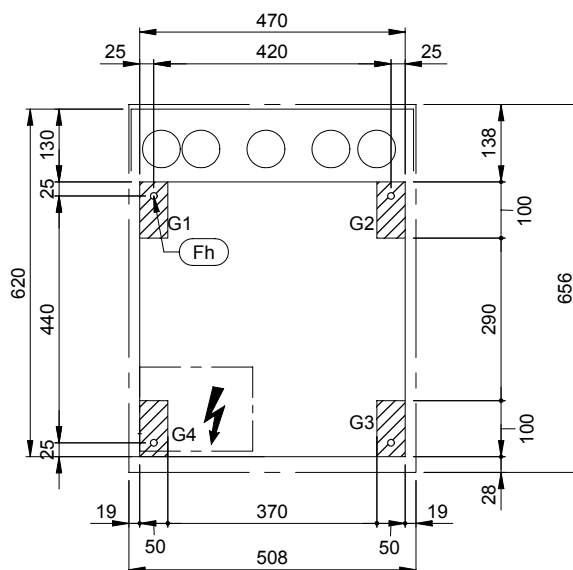
MU ECHOS/ST 1PS 16 - 22

MU ECHOS/LC-ST 1PS 16 - 22

MU ECHOS/HP-ST 1PS 16 - 22

MU ECHOS/LC/HP-ST 1PS 16 - 22

Fh	FORI DI FISSAGGIO FIXING HOLES	Ø12
G..	PUNTI DI APPOGGIO ANTIVIBRANTI VIBRATION DAMPER FOOT HOLDS	



IMPRONTA A TERRA/FOOTPRINT

MODELLO	PESO(Kg)	PESO IN FUNZIONE(Kg)	G1(Kg)	G2(Kg)	G3(Kg)	G4(Kg)
MODEL	WEIGHT(Kg)	OPERATING WEIGHT(Kg)				
MU ECHOS ST 1PS 16	179	233	54	64	62	53
MU ECHOS ST 1PS 19	181	236	55	65	63	53
MU ECHOS ST 1PS 22	189	244	58	68	64	54
MU ECHOS LC-ST 1PS 16	174	227	51	61	63	52
MU ECHOS LC-ST 1PS 19	178	231	51	63	64	53
MU ECHOS LC-ST 1PS 22	183	236	53	65	65	53
MU ECHOS HP-ST 1PS 16	182	236	55	64	63	54
MU ECHOS HP-ST 1PS 19	186	240	56	66	64	54
MU ECHOS HP-ST 1PS 22	191	246	59	68	64	55
MU ECHOS LC/HP-ST 1PS 16	177	230	51	62	64	53
MU ECHOS LC/HP-ST 1PS 19	180	233	52	63	65	53
MU ECHOS LC/HP-ST 1PS 22	185	238	53	65	66	54

DIMENSIONAL DRAWING

MU ECHOS24 - 28

MU ECHOS/LC 24 - 28

MU ECHOS/LE 24 - 28

MU ECHOS/ST 1P 24 - 28

MU ECHOS/LC-ST 1P 24 - 28

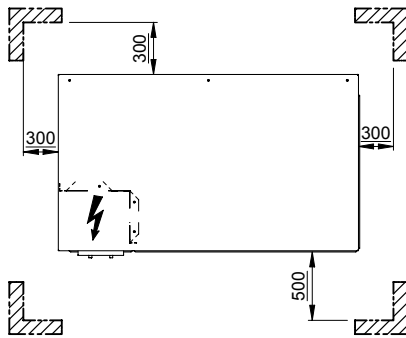
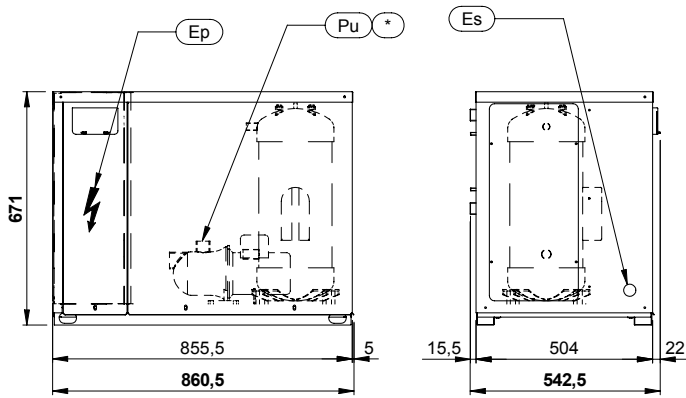
MU ECHOS/HP 24 - 28

MU ECHOS/LC/HP 24 - 28

MU ECHOS/LE/HP 24 - 28

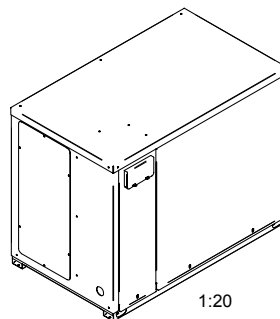
MU ECHOS/HP-ST 1P 24 - 28

MU ECHOS/LC/HP-ST 1P 24 - 28



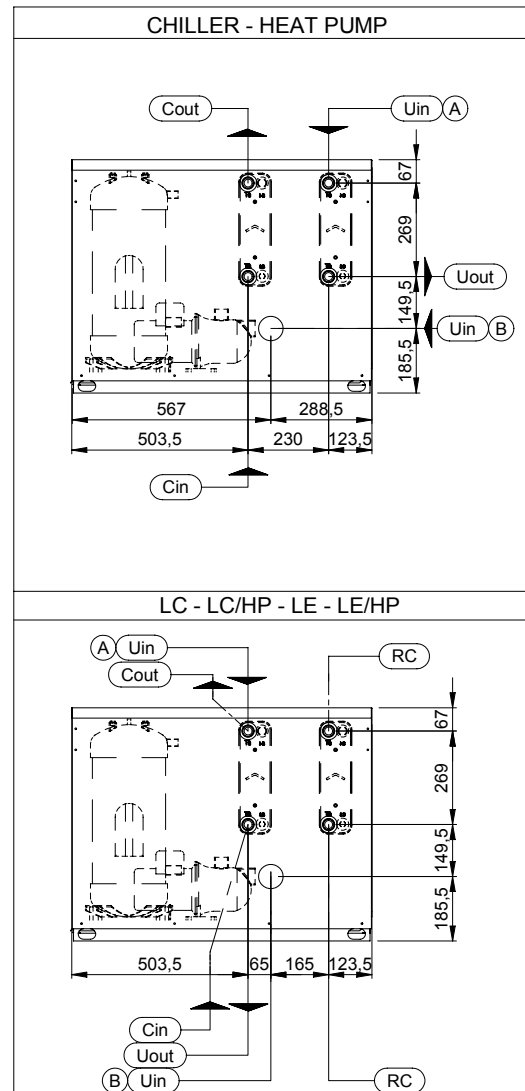
(A) Versione senza /ST1P
Mod. without /ST1P

(B) Versione con /ST1P
Mod. with /ST1P



*	OPTIONAL
Pu	POMPA PUMP
Ep	QUADRO ELETTRICO ELECTRICAL PANEL
Es	INGRESSO ALIMENTAZIONE ELETTRICA ELECTRICAL SUPPLY INLET
	SPAZI DI INSTALLAZIONE CLEARANCES

Uin		Uout	Cin	Cout
A	B			
G 1" M	G 1 1/4" F	G 1" M	G 1" M	G 1" M



Uin	INGRESSO ACQUA UTILIZZO USER WATER INLET
Uout	USCITA ACQUA UTILIZZO USER WATER OUTLET
Cin	INGRESSO ACQUA CONDENSAZIONE CONDENSING WATER INLET
Cout	USCITA ACQUA CONDENSAZIONE CONDENSING WATER OUTLET
Rc	CONNESSIONI REFRIGERANTE REFRIGERANT CONNECTIONS

DIMENSIONAL DRAWING

MU ECHOS24 - 28

MU ECHOS/LC 24 - 28

MU ECHOS/LE 24 - 28

MU ECHOS/ST 1P 24 - 28

MU ECHOS/LC-ST 1P 24 - 28

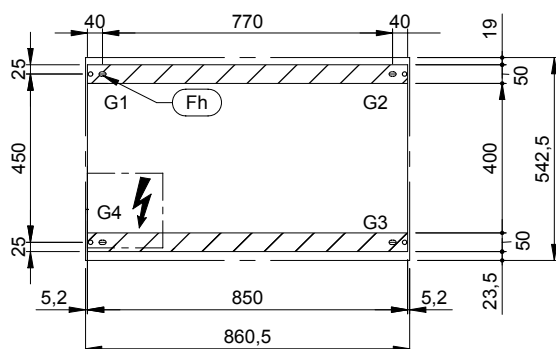
MU ECHOS/HP 24 - 28

MU ECHOS/LC/HP 24 - 28

MU ECHOS/LE/HP 24 - 28

MU ECHOS/HP-ST 1P 24 - 28

MU ECHOSLC/HP-ST 1P 24 - 28



IMPRONTA A TERRA/FOOTPRINT

Fh	FORI DI FISSAGGIO FIXING HOLES	Ø 12
G..	PUNTI DI APPOGGIO ANTIVIBRANTI VIBRATION DAMPER FOOT HOLDS	

MODELLO	PESO(Kg)	PESO IN FUNZIONE(Kg)	G1(Kg)	G2(Kg)	G3(Kg)	G4(Kg)
MODEL	WEIGHT(Kg)	OPERATING WEIGHT(Kg)				
MU ECHOS 24	161	164	39	57	40	28
MU ECHOS 28	165	168	41	58	40	29
MU ECHOS LC 24	158	160	35	56	42	27
MU ECHOS LC 28	161	163	37	57	42	27
MU ECHOS LE 24	154	155	33	54	42	26
MU ECHOS LE 28	157	158	34	55	43	26
MU ECHOS ST 1P 24	178	181	46	60	43	32
MU ECHOS ST 1P 28	181	184	48	61	42	33
MU ECHOS LC-ST 1P 24	175	177	42	60	44	31
MU ECHOS LC-ST 1P 28	178	180	43	61	44	32
MU ECHOS HP 24	170	173	43	59	41	30
MU ECHOS HP 28	175	179	46	61	41	31
MU ECHOS LC/HP 24	163	165	37	57	43	28
MU ECHOS LC/HP 28	165	167	38	58	43	28
MU ECHOS LE/HP 24	165	167	38	58	43	28
MU ECHOS LE/HP 28	183	185	43	62	47	33
MU ECHOS HP-ST 1P 24	187	190	50	63	43	34
MU ECHOS HP-ST 1P 28	192	196	53	65	43	35
MU ECHOS LC/HP-ST 1P 24	180	182	44	61	45	32
MU ECHOS LC/HP-ST 1P 28	184	186	46	62	45	33

DIMENSIONAL DRAWING

MU ECHOS24 - 28

MU ECHOS/LC 24 - 28

MU ECHOS/LE 24 - 28

MU ECHOS/ST 1P 24 - 28

MU ECHOS/LC-ST 1P 24 - 28

MU ECHOS/HP 24 - 28

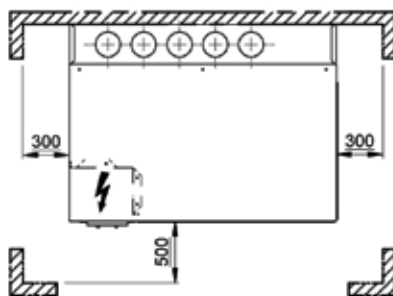
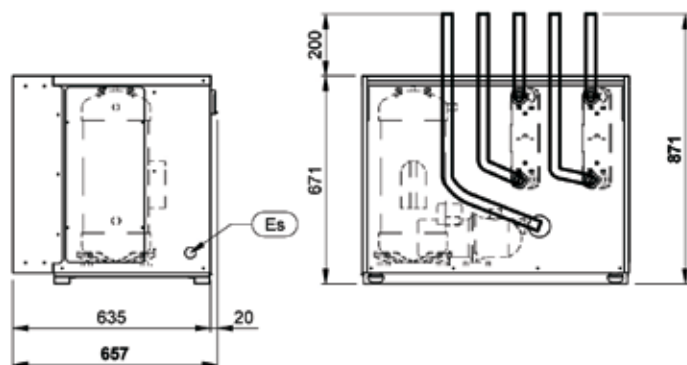
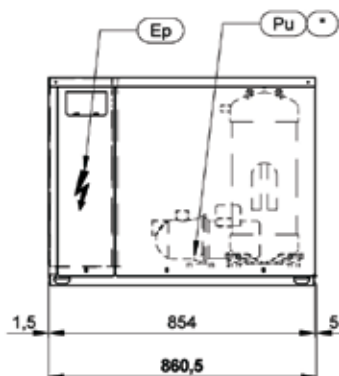
MU ECHOS/LC/HP 24 - 28

MU ECHOS/LE/HP 24 - 28

MU ECHOS/HP-ST 1P 24 - 28

MU ECHOS/LC/HP-ST 1P 24 - 28

VERSIONE CON CONNESSIONI DALL'ALTO - MOD. WITH CONNECTIONS ON THE TOP



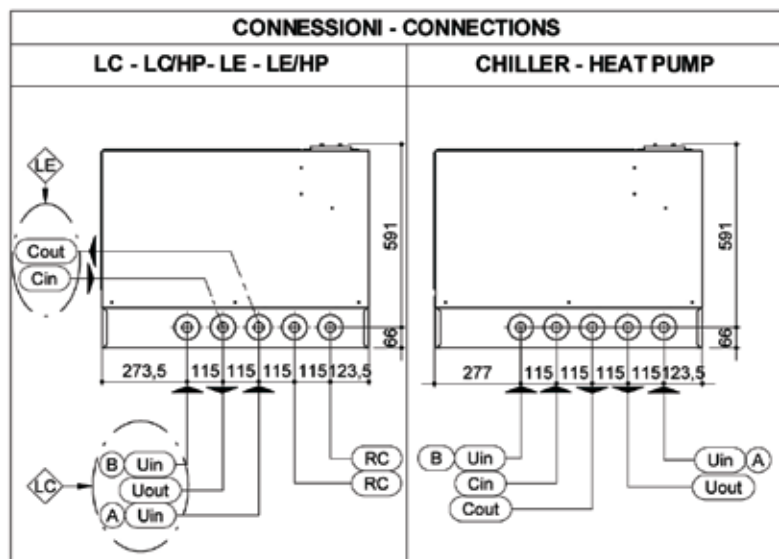
Uin		Uout	Cin	Cout
A	B			
G 1" F	G 1 1/4" F	G 1" F	G 1" F	G 1" F

(A) Versione senza /ST1P
Mod. without /ST1P

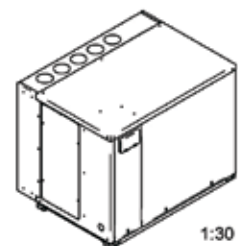
(B) Versione con /ST1P
Mod. with /ST1P

*	OPTIONAL
---	----------

Pu	POMPA PUMP
Ep	QUADRO ELETTRICO ELECTRICAL PANEL
Es	INGRESSO ALIMENTAZIONE ELETTRICA ELECTRICAL SUPPLY INLET
St	SERBATOIO DI ACCUMULO STORAGE TANK
	SPAZI DI INSTALLAZIONE CLEARANCES



Uin	INGRESSO ACQUA UTILIZZO USER WATER INLET
Uout	USCITA ACQUA UTILIZZO USER WATER OUTLET
Cin	INGRESSO ACQUA CONDENSAZIONE CONDENSING WATER INLET
Cout	USCITA ACQUA CONDENSAZIONE CONDENSING WATER OUTLET
Rc	CONNESSIONI REFRIGERANTE REFRIGERANT CONNECTIONS



1:30

DIMENSIONAL DRAWING

MU ECHOS24 - 28

MU ECHOS/LC 24 - 28

MU ECHOS/LE 24 - 28

MU ECHOS/ST 1P 24 - 28

MU ECHOS/LC-ST 1P 24 - 28

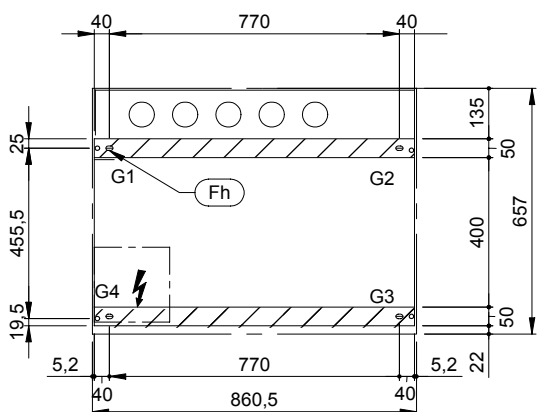
MU ECHOS/HP 24 - 28

MU ECHOS/LC/HP 24 - 28

MU ECHOS/LE/HP 24 - 28

MU ECHOS/HP-ST 1P 24 - 28

MU ECHOS/LC/HP-ST 1P 24 - 28



Fh	FORI DI FISSAGGIO FIXING HOLES	Ø12
G..	PUNTI DI APOGGIO ANTIVIBRANTI VIBRATION DAMPER FOOT HOLDS	

IMPRONTA A TERRA/FOOTPRINT

MODELLO	PESO(Kg)	PESO IN FUNZIONE(Kg)	G1(Kg)	G2(Kg)	G3(Kg)	G4(Kg)
MODEL	WEIGHT(Kg)	OPERATING WEIGHT(Kg)				
MU ECHOS 24	169	172	43	61	40	28
MU ECHOS 28	173	176	45	63	39	29
MU ECHOS LC 24	167	169	40	61	41	27
MU ECHOS LC 28	169	171	41	62	41	27
MU ECHOS LE 24	163	164	38	59	41	26
MU ECHOS LE 28	165	166	38	60	42	26
MU ECHOS ST 1P 24	186	189	50	65	42	32
MU ECHOS ST 1P 28	191	194	53	66	42	33
MU ECHOS LC-ST 1P 24	183	185	46	65	43	31
MU ECHOS LC-ST 1P 28	186	188	48	66	43	31
MU ECHOS HP 24	178	181	47	64	40	30
MU ECHOS HP 28	182	186	50	66	40	30
MU ECHOS LC/HP 24	174	176	42	62	43	29
MU ECHOS LC/HP 28	175	177	43	63	42	29
MU ECHOS LE/HP 24	171	173	41	62	42	28
MU ECHOS LE/HP 28	174	176	42	63	42	29
MU ECHOS HP-ST 1P 24	195	198	54	68	42	34
MU ECHOS HP-ST 1P 28	199	203	57	69	42	35
MU ECHOS LC/HP-ST 1P 24	192	194	49	66	45	34
MU ECHOS LC/HP-ST 1P 28	196	198	51	68	45	34

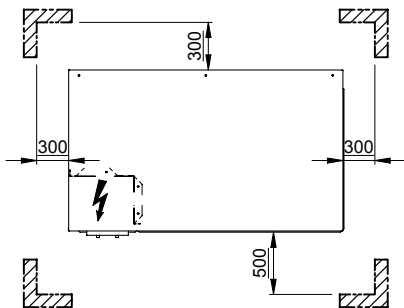
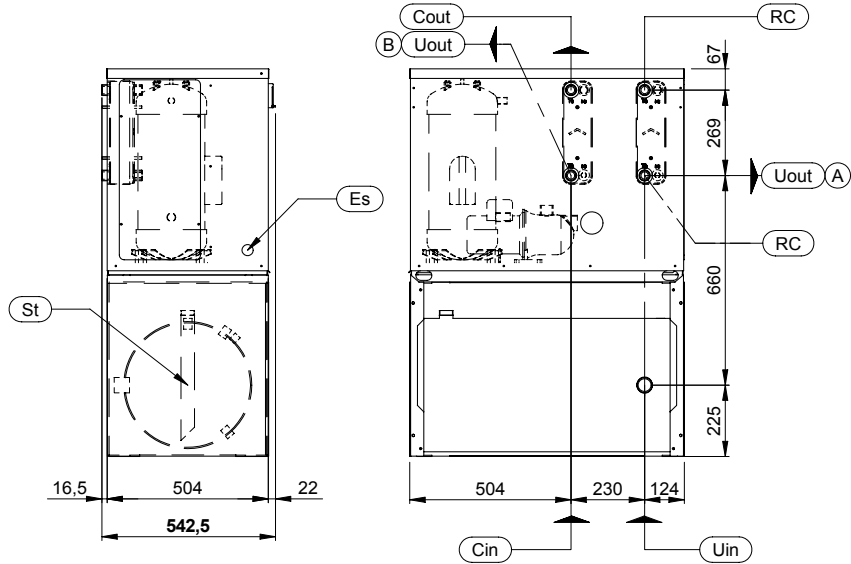
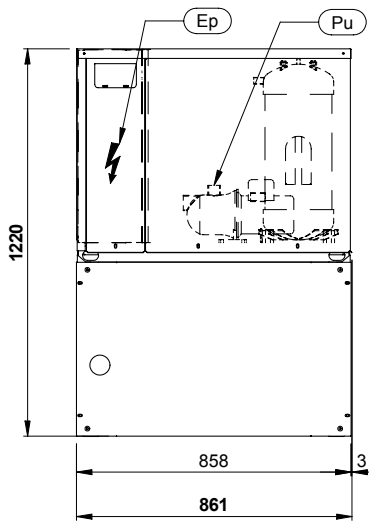
DIMENSIONAL DRAWING

MU ECHOS/ST 1PS 24 - 28

MU ECHOS/LC-ST 1PS 24 - 28

MU ECHOS/HP-ST 1PS 24 - 28

MU ECHOS/LC/HP-ST 1PS 24 - 28

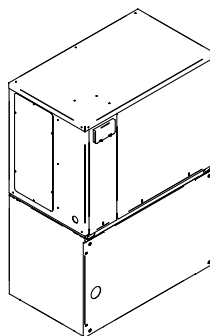


(A) Versione Chiller - Heat pump
Mod. Chiller - Heat pump

(B) Versione /LC-LC/HP
Mod./LC-LC/HP

Uin	Uout	Cin	Cout
G 1 1/4" F	G 1" M	G 1" M	G 1" M

Pu	POMPA PUMP
Ep	QUADRO ELETTRICO ELECTRICAL PANEL
Es	INGRESSO ALIMENTAZIONE ELETTRICA ELECTRICAL SUPPLY INLET
St	SERBATOIO DI ACCUMULO STORAGE TANK
	SPAZI DI INSTALLAZIONE CLEARANCES



Uin	INGRESSO ACQUA UTILIZZO USER WATER INLET
Uout	USCITA ACQUA UTILIZZO USER WATER OUTLET
Cin	INGRESSO ACQUA CONDENSAZIONE CONDENSING WATER INLET
Cout	USCITA ACQUA CONDENSAZIONE CONDENSING WATER OUTLET
Rc	CONNESSIONI REFRIGERANTE REFRIGERANT CONNECTIONS

DIMENSIONAL DRAWING

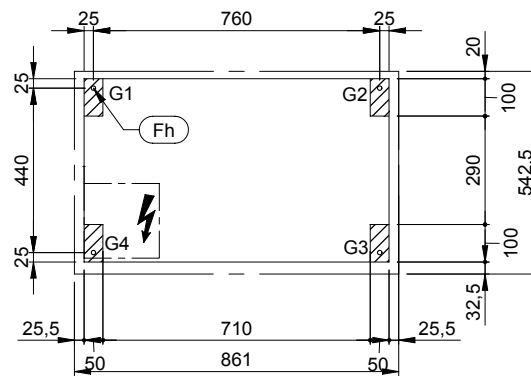
MU ECHOS/ST 1PS 24 - 28

MU ECHOS/HP-ST 1PS 24 - 28

MU ECHOS/LC-ST 1PS 24 - 28

MU ECHOS/LC/HP-ST 1PS 24 - 28

Fh	FORI DI FISSAGGIO FIXING HOLES	Ø12
G..	PUNTI DI APPOGGIO ANTIVIBRANTI VIBRATION DAMPER FOOT HOLDS	



IMPRONTA A TERRA/FOOTPRINT

MODELLO	PESO(Kg)	PESO IN FUNZIONE(Kg)	G1(Kg)	G2(Kg)	G3(Kg)	G4(Kg)
MODEL	WEIGHT(Kg)	OPERATING WEIGHT(Kg)				
MU ECHOS ST 1PS 24	239	344	86	99	85	74
MU ECHOS ST 1PS 28	243	348	88	100	85	75
MU ECHOS LC-ST 1PS 24	236	340	82	98	87	73
MU ECHOS LC-ST 1PS 28	238	342	83	99	87	73
MU ECHOS HP-ST 1PS 24	248	353	90	101	86	76
MU ECHOS HP-ST 1PS 28	252	358	92	103	86	77
MU ECHOS LC/HP-ST 1PS 24	241	345	84	99	88	74
MU ECHOS LC/HP-ST 1PS 28	244	348	85	100	88	75

DIMENSIONAL DRAWING

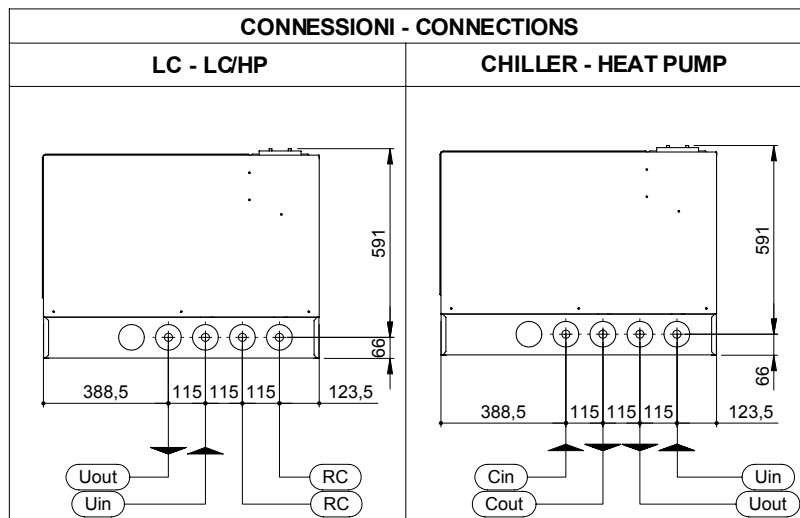
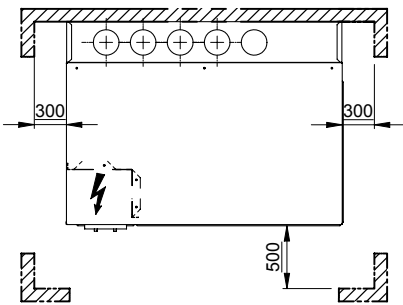
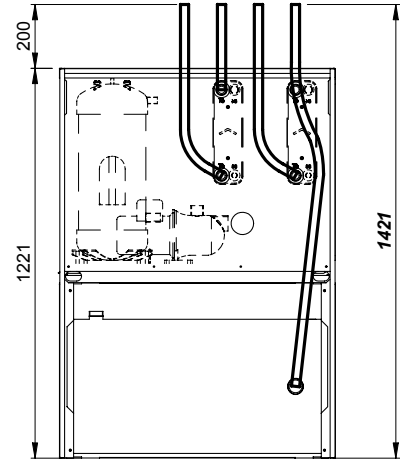
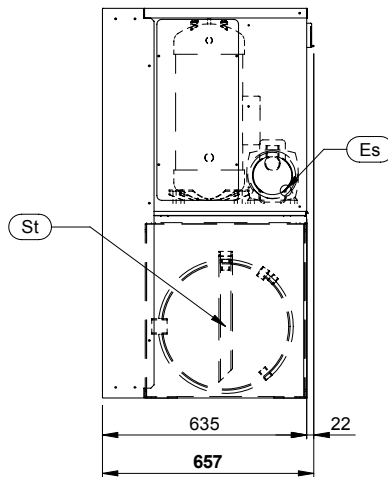
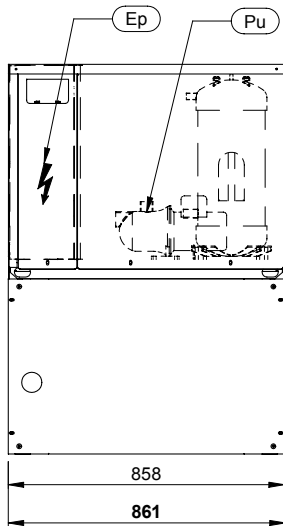
MU ECHOS/ST 1PS 24 - 28

MU ECHOS/LC-ST 1PS 24 - 28

MU ECHOS/HP-ST 1PS 24 - 28

MU ECHOS/LC/HP-ST 1PS 24 - 28

VERSIONE CON CONNESSIONI DALL'ALTO - MOD. WITH CONNECTIONS ON THE TOP



Uin	Uout	Cin	Cout
G 1 1/4" F	G 1" F	G 1" F	G 1" F

Pu	POMPA PUMP
----	---------------

Ep	QUADRO ELETTRICO ELECTRICAL PANEL
----	--------------------------------------

Es	INGRESSO ALIMENTAZIONE ELETTRICA ELECTRICAL SUPPLY INLET
----	---

St	SERBATOIO DI ACCUMULO STORAGE TANK
----	---------------------------------------

	SPAZI DI INSTALLAZIONE CLEARANCES
--	--------------------------------------

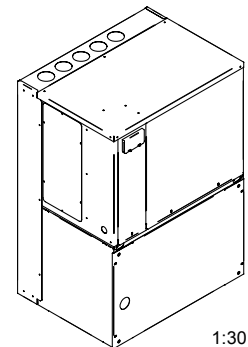
Uin	INGRESSO ACQUA UTILIZZO USER WATER INLET
-----	---

Uout	USCITA ACQUA UTILIZZO USER WATER OUTLET
------	--

Cin	INGRESSO ACQUA CONDENSAZIONE CONDENSING WATER INLET
-----	--

Cout	USCITA ACQUA CONDENSAZIONE CONDENSING WATER OUTLET
------	---

Rc	CONNESSIONI REFRIGERANTE REFRIGERANT CONNECTIONS
----	---



1:30

DIMENSIONAL DRAWING

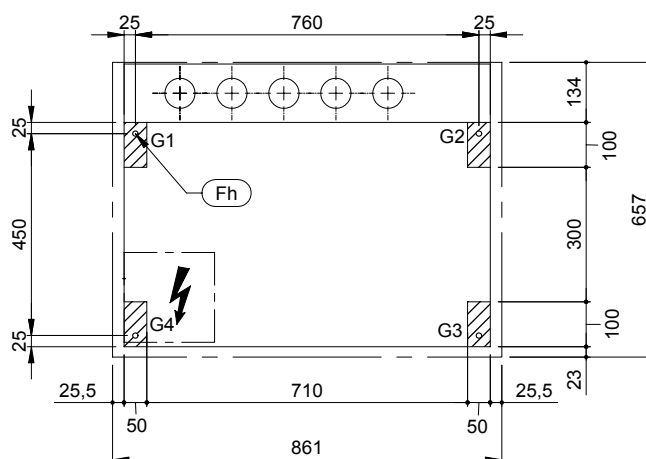
MU ECHOS/ST 1PS 24 - 28

MU ECHOS/HP-ST 1PS 24 - 28

MU ECHOS/LC-ST 1PS 24 - 28

MU ECHOS/LC/HP-ST 1PS 24 - 28

Fh	FORI DI FISSAGGIO FIXING HOLES	Ø12
G..	PUNTI DI APPOGGIO ANTIVIBRANTI VIBRATION DAMPER FOOT HOLDS	



IMPRONTA A TERRA/FOOTPRINT

MODELLO	PESO(Kg)	PESO IN FUNZIONE(Kg)	G1(Kg)	G2(Kg)	G3(Kg)	G4(Kg)
MODEL	WEIGHT(Kg)	OPERATING WEIGHT(Kg)				
MU ECHOS ST 1PS 24	248,4	353	90	104	85	74
MU ECHOS ST 1PS 28	251,9	357	92	105	85	75
MU ECHOS LC-ST 1PS 24	246,4	350	87	103	87	73
MU ECHOS LC-ST 1PS 28	249	353	88	104	87	74
MU ECHOS HP-ST 1PS 24	257,7	363	94	107	86	76
MU ECHOS HP-ST 1PS 28	262	368	97	108	86	77
MU ECHOS LC/HP-ST 1PS 24	250,4	354	88	104	88	74
MU ECHOS LC/HP-ST 1PS 28	254	358	90	105	88	75

DIMENSIONAL DRAWING

MU ECHOS32 - 48

MU ECHOS/LC 32 - 48

MU ECHOS/LE 32 - 48

MU ECHOS/ST 1P 32 - 48

MU ECHOS/LC-ST 1P 32 - 48

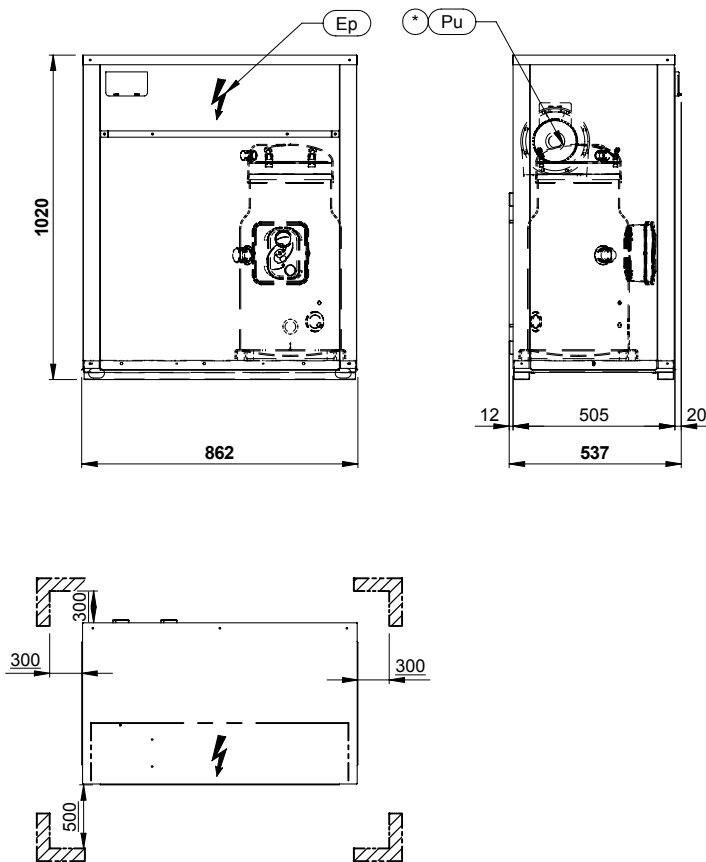
MU ECHOSHP 32 - 48

MU ECHOSLC/HP 32 - 48

MU ECHOSLE/HP 32 - 48

MU ECHOSHP 1P 32 - 48

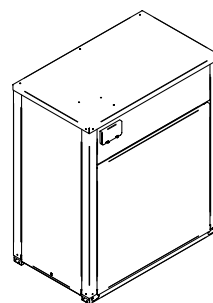
MU ECHOSLC/HP-ST 1P 32 - 48



(A) Versione senza /ST1P
Mod. without /ST1P

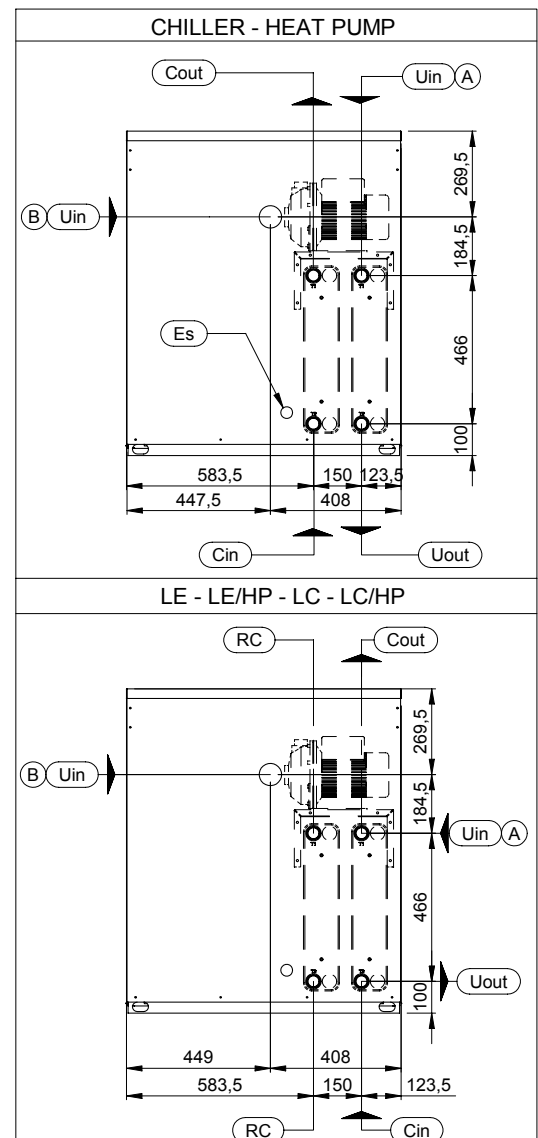
(B) Versione con /ST1P
Mod. with /ST1P

*	OPTIONAL
Pu	POMPA PUMP
Ep	QUADRO ELETTRICO ELECTRICAL PANEL
Es	INGRESSO ALIMENTAZIONE ELETTRICA ELECTRICAL SUPPLY INLET
	SPAZI DI INSTALLAZIONE CLEARANCES



1:30

Uin		Uout	Cin	Cout
A	B			
G 1 1/4" M	G 1 1/4" F	G 1 1/4" M	G 1 1/4" M	G 1 1/4" M



Uin	INGRESSO ACQUA UTILIZZO USER WATER INLET
Uout	USCITA ACQUA UTILIZZO USER WATER OUTLET
Cin	INGRESSO ACQUA CONDENSAZIONE CONDENSING WATER INLET
Cout	USCITA ACQUA CONDENSAZIONE CONDENSING WATER OUTLET
Rc	CONNESSIONI REFRIGERANTE REFRIGERANT CONNECTIONS

C411170A

DIMENSIONAL DRAWING

MU ECHOS32 - 48

MU ECHOS/LC 32 - 48

MU ECHOS/LE 32 - 48

MU ECHOS/ST 1P 32 - 48

MU ECHOS/LC-ST 1P 32 - 48

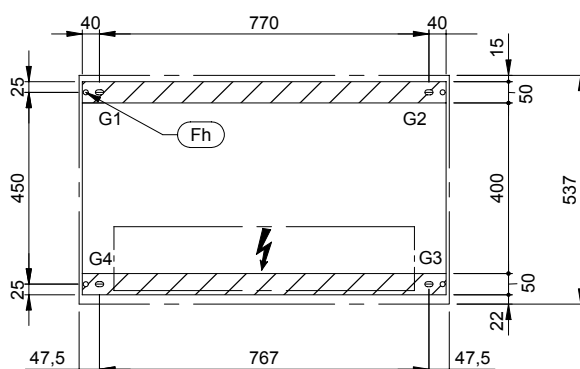
MU ECHOSHP 32 - 48

MU ECHOSLC/HP 32 - 48

MU ECHOSLE/HP 32 - 48

MU ECHOSHP 1P 32 - 48

MU ECHOSLC/HP-ST 1P 32 - 48



IMPRONTA A TERRA/FOOTPRINT

Fh	FORI DI FISSAGGIO FIXING HOLES	Ø 12
G..	PUNTI DI APPOGGIO ANTIVIBRANTI VIBRATION DAMPER FOOT HOLDS	

MODELLO	PESO (Kg)	PESO IN FUNZIONE(Kg)	G1	G2	G3	G4	MODELLO	PESO (Kg)	PESO IN FUNZIONE(Kg)	G1	G2	G3	G4
MODEL	WEIGHT (Kg)	OPERATING WEIGHT(Kg)	(Kg)	(Kg)	(Kg)	(Kg)	MODEL	WEIGHT (Kg)	OPERATING WEIGHT(Kg)	(Kg)	(Kg)	(Kg)	(Kg)
MU ECHOS 32	197	200	51	57	48	44	MU ECHOS HP 32	204	208	55	59	49	45
MU ECHOS 35	199	203	53	57	48	45	MU ECHOS HP 35	208	213	57	60	49	47
MU ECHOS 42	199	204	55	56	47	46	MU ECHOS HP 42	208	214	60	59	47	48
MU ECHOS 48	247	252	65	76	60	51	MU ECHOS HP 48	257	264	71	79	60	54
MU ECHOS LC 32	192	194	49	55	48	42	MU ECHOS LC/HP 32	197	199	50	57	49	43
MU ECHOS LC 35	194	196	50	55	48	43	MU ECHOS LC/HP 35	200	202	52	57	49	44
MU ECHOS LC 42	193	196	51	54	47	44	MU ECHOS LC/HP 42	198	201	53	56	47	45
MU ECHOS LC 48	239	242	60	73	60	49	MU ECHOS LC/HP 48	245	248	62	75	61	50
MU ECHOS LE 32	188	189	45	54	49	41	MU ECHOS LE/HP 32	196	198	50	56	49	43
MU ECHOS LE 35	189	190	46	54	49	41	MU ECHOS LE/HP 35	199	201	51	57	49	44
MU ECHOS LE 42	186	188	46	53	47	42	MU ECHOS LE/HP 42	197	200	53	55	47	45
MU ECHOS LE 48	230	232	54	71	61	46	MU ECHOS LE/HP 48	244	247	62	75	60	50
MU ECHOS ST 1P 32	213	216	59	60	49	48	MU ECHOS HP-ST 1P 32	221	225	63	62	50	50
MU ECHOS ST 1P 35	219	223	63	61	49	50	MU ECHOS HP-ST 1P 35	228	233	67	64	50	52
MU ECHOS ST 1P 42	219	224	65	60	48	51	MU ECHOS HP-ST 1P 42	228	234	70	63	48	53
MU ECHOS ST 1P 48	267	272	74	80	61	57	MU ECHOS HP-ST 1P 48	276	283	80	83	61	59
MU ECHOS LC-ST 1P 32	208	210	56	59	49	46	MU ECHOS LC/HP-ST 1P 32	213	215	57	60	50	48
MU ECHOS LC-ST 1P 35	215	217	59	60	49	49	MU ECHOS LC/HP-ST 1P 35	219	221	61	61	50	49
MU ECHOS LC-ST 1P 42	212	215	60	58	48	49	MU ECHOS LC/HP-ST 1P 42	217	220	62	60	48	50
MU ECHOS LC-ST 1P 48	258	261	69	77	61	54	MU ECHOS LC/HP-ST 1P 48	263	266	71	79	61	55

DIMENSIONAL DRAWING

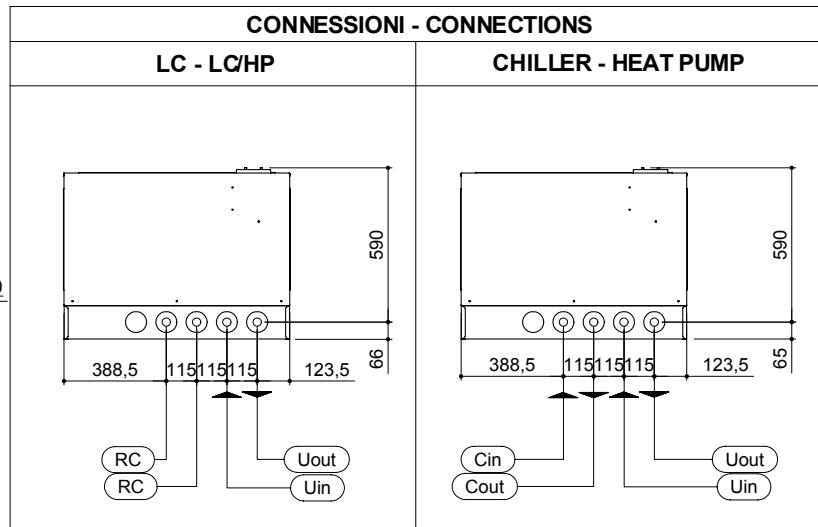
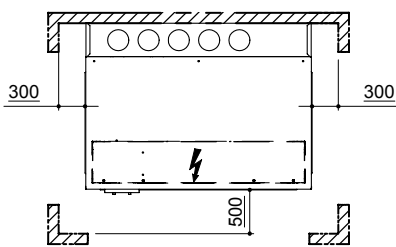
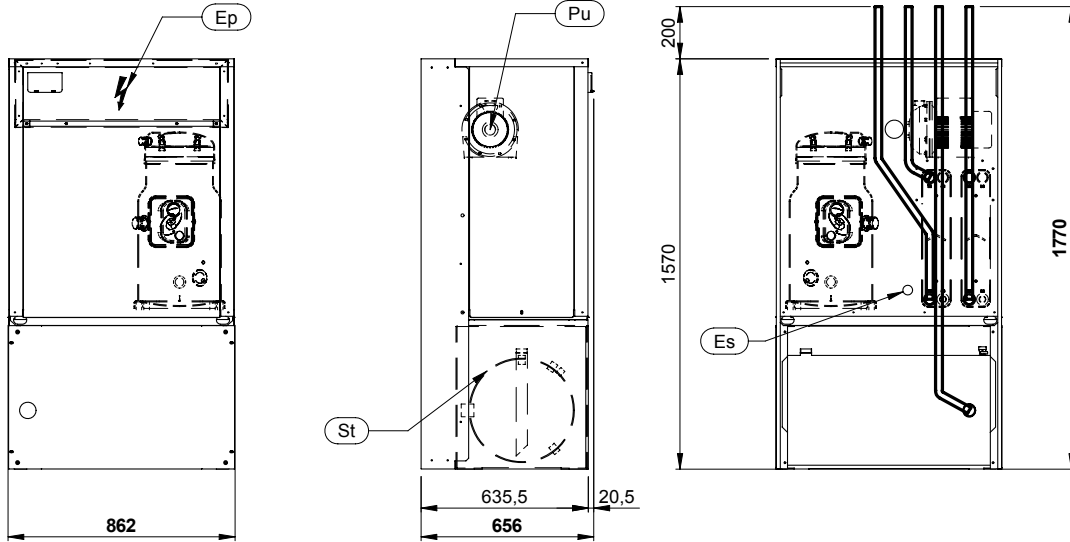
MU ECHOS/ST 1PS 32 - 48

MU ECHOS/LC-ST 1PS 32 - 48

MU ECHOS/HP-ST 1PS 32 - 48

MU ECHOS/LC/HP-ST 1PS 32 - 48

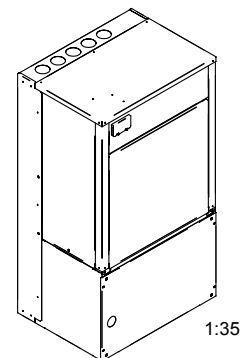
VERSIONE CON CONNESSIONI DALL'ALTO - MOD. WITH CONNECTIONS ON THE TOP



Uin	Uout	Cin	Cout
G 1 1/4" F	G 1 1/4" F	G 1 1/4" F	G 1 1/4" F

Pu	POMPA PUMP
Ep	QUADRO ELETTRICO ELECTRICAL PANEL
Es	INGRESSO ALIMENTAZIONE ELETTRICA ELECTRICAL SUPPLY INLET
	SPAZI DI INSTALLAZIONE CLEARANCES

Uin	INGRESSO ACQUA UTILIZZO USER WATER INLET
Uout	USCITA ACQUA UTILIZZO USER WATER OUTLET
Cin	INGRESSO ACQUA CONDENSAZIONE CONDENSING WATER INLET
Cout	USCITA ACQUA CONDENSAZIONE CONDENSING WATER OUTLET
Rc	CONNESSIONI REFRIGERANTE REFRIGERANT CONNECTIONS



DIMENSIONAL DRAWING

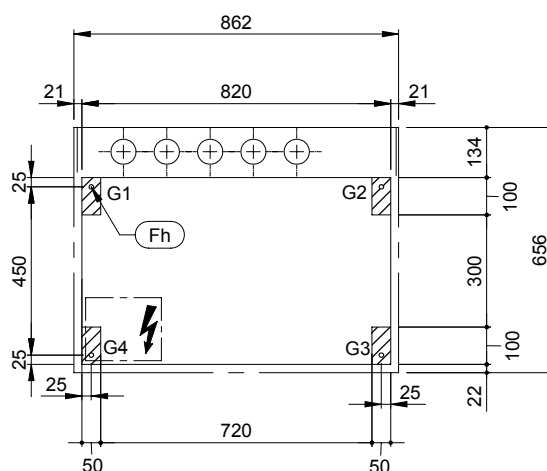
MU ECHOS/ST 1PS 32 - 48

MU ECHOS/HP-ST 1PS 32 - 48

MU ECHOS/LC-ST 1PS 32 - 48

MU ECHOS/LC/HP-ST 1PS 32 - 48

Fh	FORI DI FISSAGGIO FIXING HOLES	Ø12
G..	PUNTI DI APPOGGIO ANTIVIBRANTI VIBRATION DAMPER FOOT HOLDS	



IMPRONTA A TERRA/FOOTPRINT

MODELLO	PESO(Kg)	PESO IN FUNZIONE(Kg)	G1(Kg)	G2(Kg)	G3(Kg)	G4(Kg)
MODEL	WEIGHT(Kg)	OPERATING WEIGHT(Kg)				
MU ECHOS ST 1PS 32	278	383	101	106	90	86
MU ECHOS ST 1PS 35	284	390	105	107	90	88
MU ECHOS ST 1PS 42	284	391	107	106	89	89
MU ECHOS ST 1PS 48	331	438	116	126	102	94
MU ECHOS LC-ST 1PS 32	272	376	98	104	90	84
MU ECHOS LC-ST 1PS 35	279	383	101	105	90	87
MU ECHOS LC-ST 1PS 42	276	381	102	104	88	87
MU ECHOS LC-ST 1PS 48	323	428	111	123	102	92
MU ECHOS HP-ST 1PS 32	285	391	105	108	90	88
MU ECHOS HP-ST 1PS 35	293	400	109	110	91	90
MU ECHOS HP-ST 1PS 42	293	401	112	109	89	91
MU ECHOS HP-ST 1PS 48	342	451	122	130	103	96
MU ECHOS LC/HP-ST 1PS 32	275	379	99	105	90	85
MU ECHOS LC/HP-ST 1PS 35	283	387	103	107	90	87
MU ECHOS LC/HP-ST 1PS 42	281	386	104	105	89	88
MU ECHOS LC/HP-ST 1PS 48	328	433	113	125	102	93

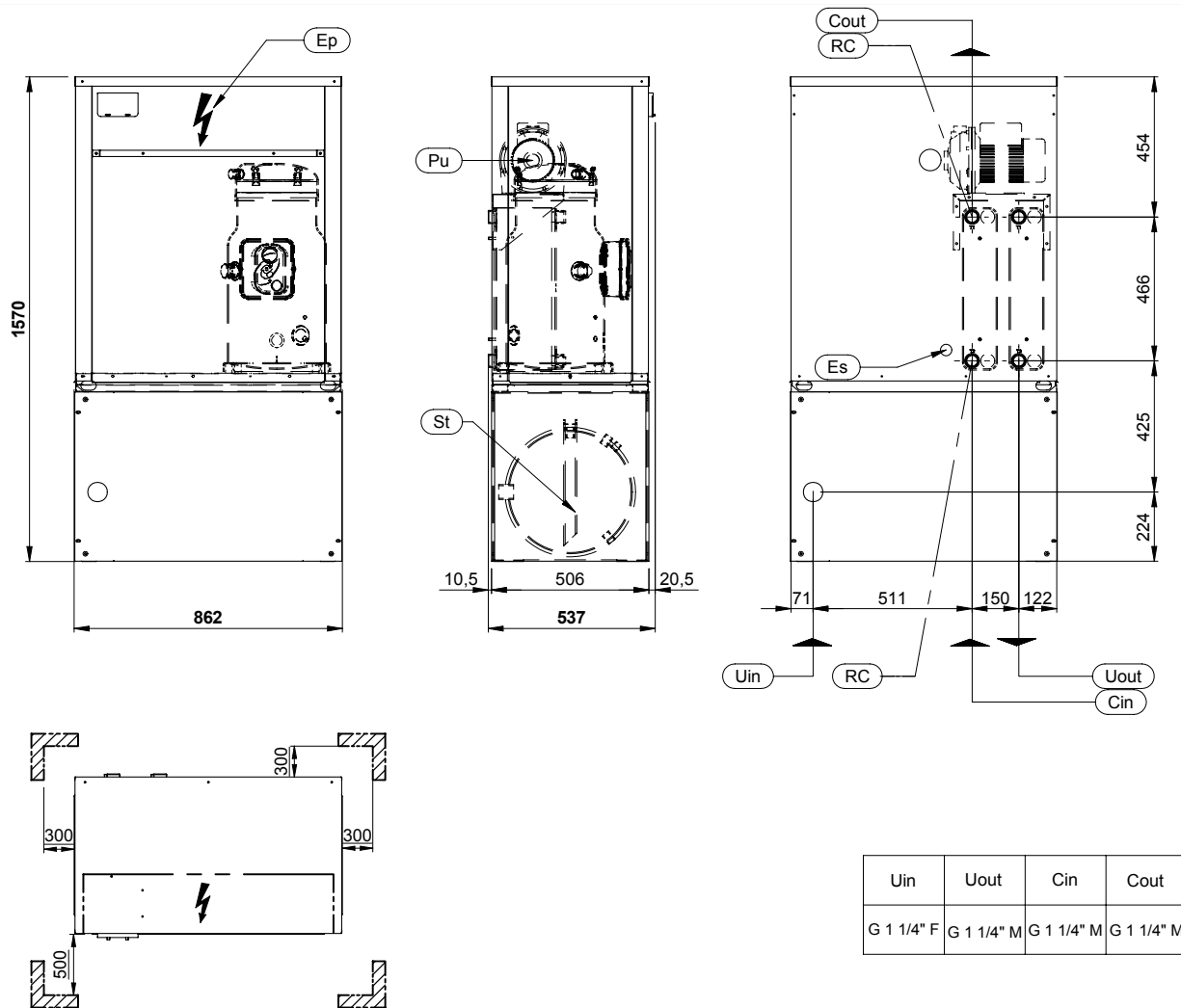
DIMENSIONAL DRAWING

MU ECHOS/ST 1PS 32 - 48

MU ECHOS/LC-ST 1PS 32 - 48

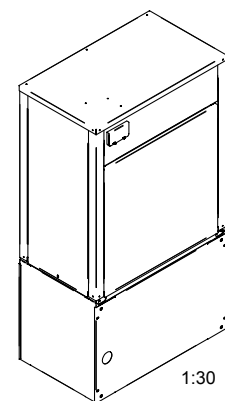
MU ECHOS/HP-ST 1PS 32 - 48

MU ECHOS/LC/HP-ST 1PS 32 - 48



Pu	POMPA PUMP
Ep	QUADRO ELETTRICO ELECTRICAL PANEL
Es	INGRESSO ALIMENTAZIONE ELETTRICA ELECTRICAL SUPPLY INLET
St	SERBATOIO DI ACCUMULO STORAGE TANK
	SPAZI DI INSTALLAZIONE CLEARANCES

Uin	INGRESSO ACQUA UTILIZZO USER WATER INLET
Uout	USCITA ACQUA UTILIZZO USER WATER OUTLET
Cin	INGRESSO ACQUA CONDENSAZIONE CONDENSING WATER INLET
Cout	USCITA ACQUA CONDENSAZIONE CONDENSING WATER OUTLET
Rc	CONNESSIONI REFRIGERANTE REFRIGERANT CONNECTIONS



C411173A

DIMENSIONAL DRAWING

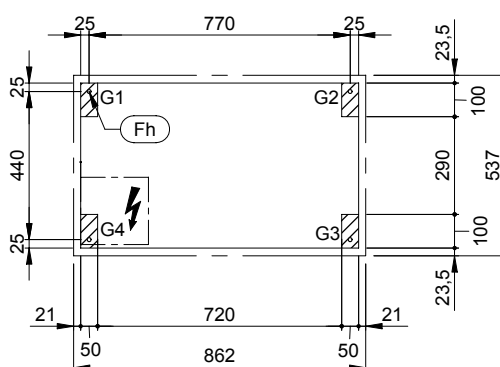
MU ECHOS/ST 1PS 32 - 48

MU ECHOS/HP-ST 1PS 32 - 48

MU ECHOS/LC-ST 1PS 32 - 48

MU ECHOS/LC/HP-ST 1PS 32 - 48

Fh	FORI DI FISSAGGIO FIXING HOLES	Ø12
G..	PUNTI DI APPOGGIO ANTIVIBRANTI VIBRATION DAMPER FOOT HOLDS	



IMPRONTA A TERRA/FOOTPRINT

MODELLO	PESO(Kg)	PESO IN FUNZIONE(Kg)	G1(Kg)	G2(Kg)	G3(Kg)	G4(Kg)
MODEL	WEIGHT(Kg)	OPERATING WEIGHT(Kg)				
MU ECHOS ST 1PS 32	266	371	94	99	91	87
MU ECHOS ST 1PS 35	272	378	98	100	91	89
MU ECHOS ST 1PS 42	271	378	100	99	89	90
MU ECHOS ST 1PS 48	319	426	109	119	103	95
MU ECHOS LC-ST 1PS 32	260	364	92	97	90	85
MU ECHOS LC-ST 1PS 35	267	371	95	98	91	87
MU ECHOS LC-ST 1PS 42	265	370	96	97	89	88
MU ECHOS LC-ST 1PS 48	311	416	104	116	103	93
MU ECHOS HP-ST 1PS 32	272	378	98	101	91	88
MU ECHOS HP-ST 1PS 35	280	387	102	103	91	91
MU ECHOS HP-ST 1PS 42	281	389	105	102	90	92
MU ECHOS HP-ST 1PS 48	330	439	115	123	104	97
MU ECHOS LC/HP-ST 1PS 32	265	369	93	99	91	86
MU ECHOS LC/HP-ST 1PS 35	272	376	97	100	91	88
MU ECHOS LC/HP-ST 1PS 42	271	376	98	99	90	89
MU ECHOS LC/HP-ST 1PS 48	315	420	106	118	103	93

DIMENSIONAL DRAWING

MU ECHOS32 - 48

MU ECHOS/LC 32 - 48

MU ECHOS/LE 32 - 48

MU ECHOS/ST 1P 32 - 48

MU ECHOS/LC-ST 1P 32 - 48

MU ECHOSHP 32 - 48

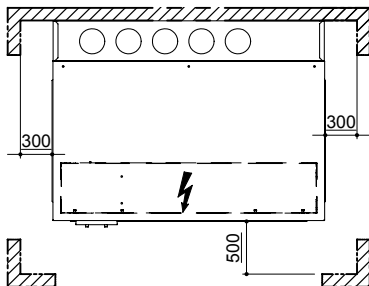
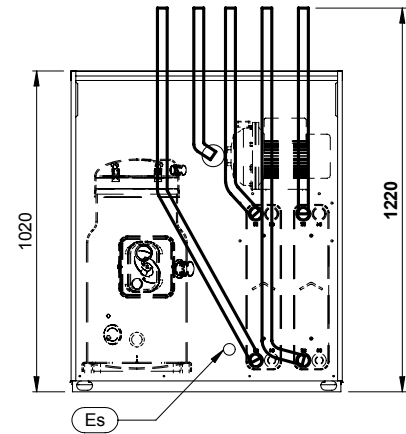
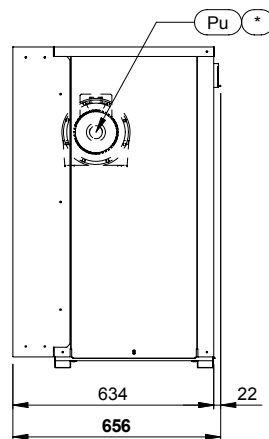
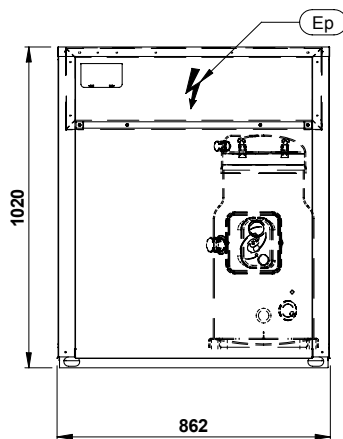
MU ECHOSLC/HP 32 - 48

MU ECHOSLE/HP 32 - 48

MU ECHOS/HP-ST 1P 32 - 48

MU ECHOSLC/HP-ST 1P 32 - 48

VERSIONE CON CONNESSIONI DALL'ALTO - MOD. WITH CONNECTIONS ON THE TOP



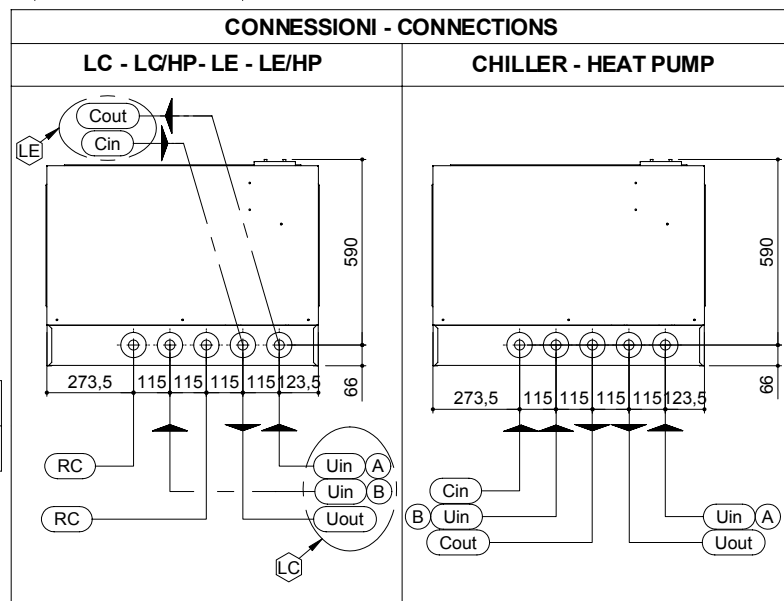
Uin		Uout	Cin	Cout
A	B			
G 1 1/4" F	G 1 1/4" F	G 1 1/4" F	G 1 1/4" F	G 1 1/4" F

(A) Versione senza /ST1P
Mod. without /ST1P

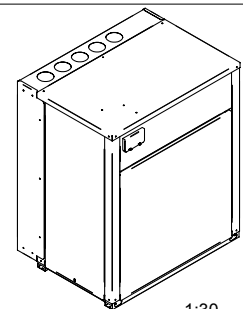
(B) Versione con /ST1P
Mod. with /ST1P

*	OPTIONAL
---	----------

Pu	POMPA PUMP
Ep	QUADRO ELETTRICO ELECTRICAL PANEL
Es	INGRESSO ALIMENTAZIONE ELETTRICA ELECTRICAL SUPPLY INLET
St	SERBATOIO DI ACCUMULO STORAGE TANK
	SPAZI DI INSTALLAZIONE CLEARANCES



Uin	INGRESSO ACQUA UTILIZZO USER WATER INLET
Uout	USCITA ACQUA UTILIZZO USER WATER OUTLET
Cin	INGRESSO ACQUA CONDENSAZIONE CONDENSING WATER INLET
Cout	USCITA ACQUA CONDENSAZIONE CONDENSING WATER OUTLET
Rc	CONNESSIONI REFRIGERANTE REFRIGERANT CONNECTIONS



1:30

C411243A

DIMENSIONAL DRAWING

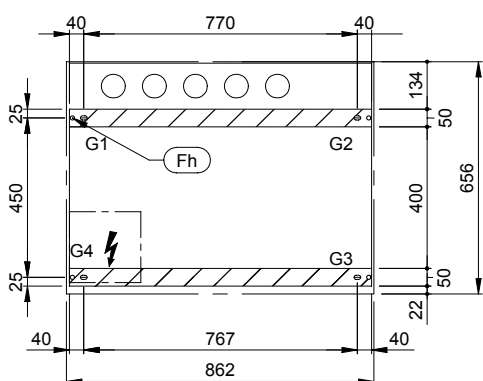
MU ECHOS32 - 48

MU ECHOS/LC 32 - 48

MU ECHOS/LE 32 - 48

MU ECHOS/ST 32 - 48

MU ECHOS/LC-ST 32 - 48



IMPRONTA A TERRA/FOOTPRINT

Fh	FORI DI FISSAGGIO FIXING HOLES	Ø12
G..	PUNTI DI APPOGGIO ANTIVIBRANTI VIBRATION DAMPER FOOT HOLDS	

MODELLO	PESO (Kg)	PESO IN FUNZIONE(Kg)	G1	G2	G3	G4	MODELLO	PESO (Kg)	PESO IN FUNZIONE(Kg)	G1	G2	G3	G4
MODEL	WEIGHT (Kg)	OPERATING WEIGHT(Kg)	(Kg)	(Kg)	(Kg)	(Kg)	MODEL	WEIGHT (Kg)	OPERATING WEIGHT(Kg)	(Kg)	(Kg)	(Kg)	(Kg)
MU ECHOS 32	207	210	59	67	45	39	MU ECHOS HP 32	214	218	63	69	45	41
MU ECHOS 35	208	212	60	67	45	40	MU ECHOS HP 35	217	222	65	70	45	42
MU ECHOS 42	209	214	63	66	44	41	MU ECHOS HP 42	218	224	68	69	44	43
MU ECHOS 48	256	261	72	86	56	47	MU ECHOS HP 48	266	273	78	89	57	49
MU ECHOS LC 32	201	203	56	65	44	38	MU ECHOS LC/HP 32	207	209	58	67	45	39
MU ECHOS LC 35	205	207	57	66	45	39	MU ECHOS LC/HP 35	210	212	59	67	46	40
MU ECHOS LC 42	203	206	58	64	44	40	MU ECHOS LC/HP 42	207	210	60	66	44	40
MU ECHOS LC 48	247	250	66	83	56	45	MU ECHOS LC/HP 48	254	257	69	85	57	46
MU ECHOS LE 32	197	198	52	64	45	37	MU ECHOS LE/HP 32	206	208	57	67	45	39
MU ECHOS LE 35	199	200	53	65	45	37	MU ECHOS LE/HP 35	209	211	59	67	45	40
MU ECHOS LE 42	195	197	53	63	44	37	MU ECHOS LE/HP 42	206	209	60	65	44	40
MU ECHOS LE 48	240	242	61	82	57	42	MU ECHOS LE/HP 48	253	256	68	85	57	46
MU ECHOS ST 1P 32	223	226	66	70	46	44	MU ECHOS HP-ST 1P 32	230	234	70	72	47	45
MU ECHOS ST 1P 35	229	233	70	71	46	46	MU ECHOS HP-ST 1P 35	238	243	75	74	47	47
MU ECHOS ST 1P 42	229	234	72	70	45	47	MU ECHOS HP-ST 1P 42	238	244	78	73	45	48
MU ECHOS ST 1P 48	277	282	82	90	58	52	MU ECHOS HP-ST 1P 48	287	294	88	93	58	55
MU ECHOS LC-ST 1P 32	218	220	63	69	46	42	MU ECHOS LC/HP-ST 1P 32	222	224	65	70	46	43
MU ECHOS LC-ST 1P 35	223	225	66	69	46	44	MU ECHOS LC/HP-ST 1P 35	229	231	68	71	47	45
MU ECHOS LC-ST 1P 42	223	226	68	68	45	45	MU ECHOS LC/HP-ST 1P 42	226	229	70	69	45	45
MU ECHOS LC-ST 1P 48	268	271	76	87	58	50	MU ECHOS LC/HP-ST 1P 48	273	276	78	89	58	51

INSTALLATIONS RECOMMENDATIONS

LOCATION

Strictly allow clearances as indicated in the catalogue.

Please check that there isn't any obstructions on the suction of the finned coil and on the discharge of the fans

Locate the unit in order to be compatible with environmental requirements (sound level, integration into the site, etc.).

ELECTRICAL CONNECTIONS

Check the wiring diagram enclosed with the unit, in which are always present all the instructions necessary to the electrical connections.

Supply the unit at least 12 hours before start-up, in order to turn crankcase heaters on. Do not disconnect electrical supply during temporary stop periods (i.e. weekends).

Before opening the main switch, stop the unit by acting on the suitable running switches or, if lacking, on the remote control.

Before servicing the inner components, disconnect electrical supply by opening the main switch.

The electric supply line must be equipped with an automatic circuit breaker (to be provided by the installer).

HYDRAULIC CONNECTIONS

Carefully vent the system, with pump turned off, by acting on the vent valves. This procedure is fundamental: little air bubbles can freeze the evaporator causing the general failure of the system.

Drain the system during seasonal stops (wintertime) or use proper mixtures with low freezing point. In case of temporary stop periods an electric heater should be installed on the evaporator and hydraulic circuit.

Install the hydraulic circuit including all the components indicated in the recommended hydraulic circuit diagrams (expansion vessel, flow switch, strainer, storage tank, vent valves, shut off valves, flexible connections, etc.).

Connect the flow switch, which is furnished on all units, not fitted. Follow the instructions enclosed with the units.

START UP AND MAINTENANCE OPERATIONS

Strictly follow what reported in use and maintenance manual. All these operations must be carried on by trained personnel only.

